

Parts Catalogue

for model

NTL 534 W TR/E - W TRQ/E

- Use GLOBAL GARDEN PRODUCT Genuine Spare Parts specified in the parts list for repair and/or replacement.
- The contents described in the parts list may change due to improvement.
- The drawings of the spare parts are only indicative and might not represent the part in question exactly.
- The indications "right" - "left" - "front" - "rear" refer to the position of the operator when using the machine.
- When placing orders of parts for repair and/or replacement, make sure that the illustrated parts list is the one applying to the machine's year of manufacture, as shown on the identification plate attached to the machine.

© Copyright 2015 Global Garden Products

All content is subject to copyright by Global Garden Products and may not be reproduced in whole or in part by any means, electronic or otherwise, without prior written approval.

THIS INFORMATION IS NOT INTENDED FOR SALE OR RESALE, AND THIS NOTICE MUST REMAIN ON ALL COPIES.



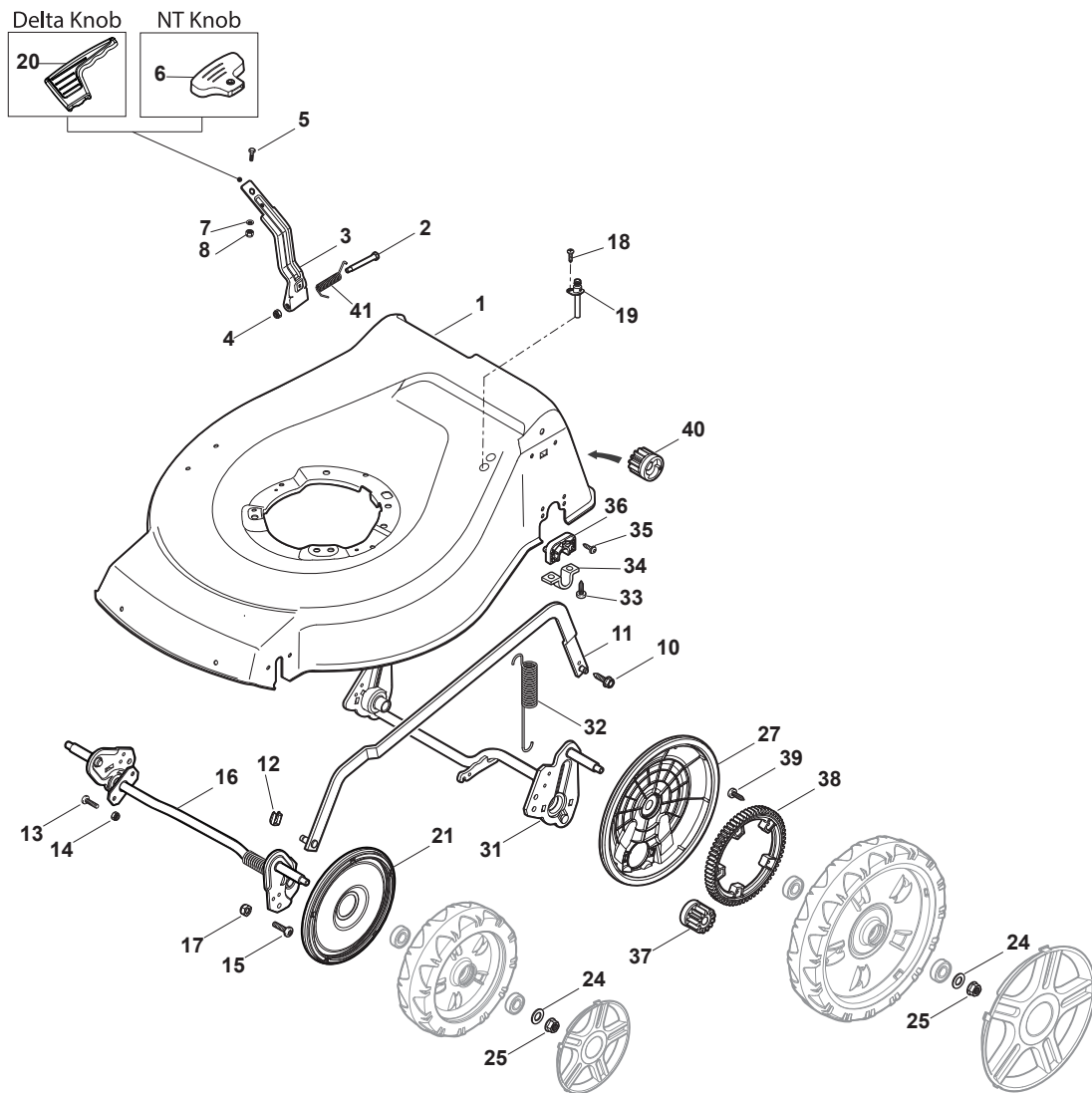


Fig.	Quantity	Part No	Description	Notes
20	1	322394522/0	Knob	Delta Knob
1	1	381004540/0	Red Deck	
1	1	381004542/0	Red Deck	Side Discharge
1	1	381004590/0	Yellow Deck	
1	1	381004732/0	Grey Deck	Side Discharge
2	1	122534131/0	Pin	
3	1	381003398/0	Lever, Height Adjustment	
4	1	112154510/0	Nut	
5	1	112788512/0	Screw	
6	1	322394503/0	Knob	NT Knob
7	1	112521310/0	Washer	
8	1	112150000/0	Nut	
10	1	122943013/0	Screw	
11	1	381002032/0	Rod, Height Adjustment	
12	1	112436051/0	Plate	
13	3	112727803/0	Screw	
14	3	112154510/0	Nut	
15	1	112727801/0	Screw	
16	1	381002887/1	Front Wheel Axle	
17	1	112154510/0	Nut	
18	1	112728450/0	Screw	
19	1	322034002/0	Washing Connection	
21	2	322600145/0	Protection, Wheel	
24	4	112521350/0	Washer	
25	4	112155000/0	Nut	
27	2	322600208/0	Protection, Wheel	
31	1	381302835/1	Axle, Rear Wheels	
32	1	122450460/0	Spring	
33	4	112728697/0	Screw	
34	2	322545152/0	Plate	
35	4	112728697/0	Screw	
36	2	322785304/1	Support	
37	1	122570134/0	Left Pinion	
38	2	322120115/0	Wheels Crown	
39	6	112728706/0	Screw	
40	1	122570133/0	Right Pinion	
41	1	122446192/0	Spring	

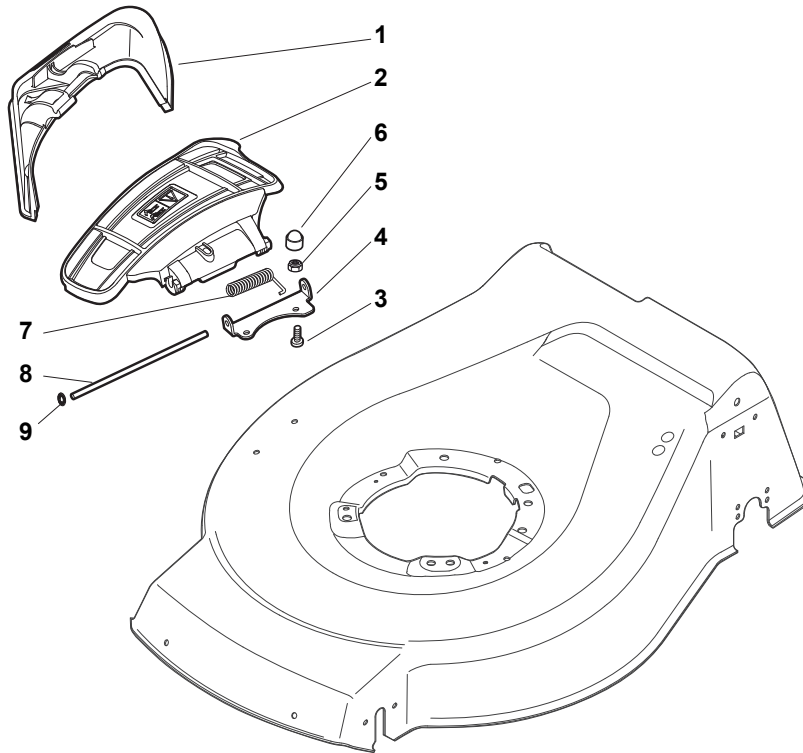


Fig.	Quantity	Part No	Description	Notes
1	1	322108295/1	Side Ejection Conveyor	
2	1	322600313/0	Ejection Guard	
3	2	112727803/0	Screw	
4	1	322806639/0	Fulcrum Pin	
5	2	112154510/0	Nut	
6	2	118203853/0	Screw	
7	1	122450456/0	Spring	
8	1	122517869/1	Pin	
9	2	112604896/0	Crown Fastener	

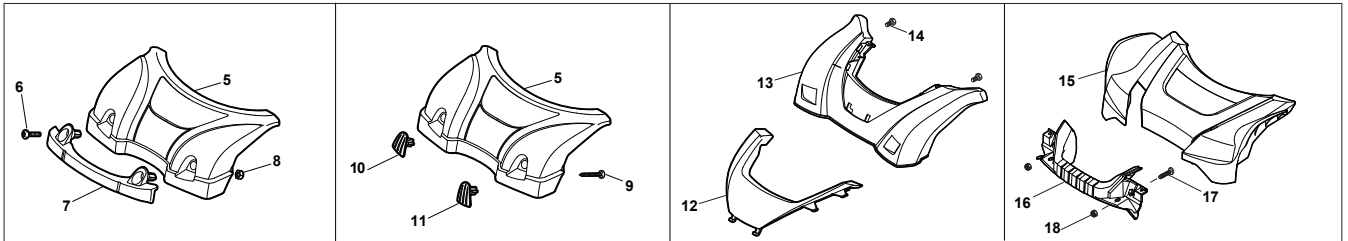


Fig.	Quantity	Part No	Description	Notes
1	1	322500103/0	Front Combi	
2	2	112523000/1	Washer	
3	2	112728124/0	Screw	
5	1	322226145/0	Mask, Red	
5	1	322226146/0	Mask, Yellow	with Stiga Logo
5	1	322226152/0	Mask, Black	with Stiga Logo
5	1	322226154/0	Mask, Black	
6	2	112727799/0	Screw	
7	1	322393638/0	Handlegrip Black	
7	1	322393639/0	Handle, Grey	
7	1	322393640/0	Handle, Yellow	
8	2	112154510/0	Nut	
9	2	112728697/0	Screw	
10	1	322820082/0	Cap	
11	1	322820083/0	Cap	
12	1	322226167/0	Front Plate	
13	1	322226166/0	Mask, Black	
14	2	112728300/0	Screw	
15	1	322226158/0	Mask, Black	
16	1	322393642/0	Bumper Handle	
17	2	112727799/0	Screw	
18	2	112154510/0	Nut	

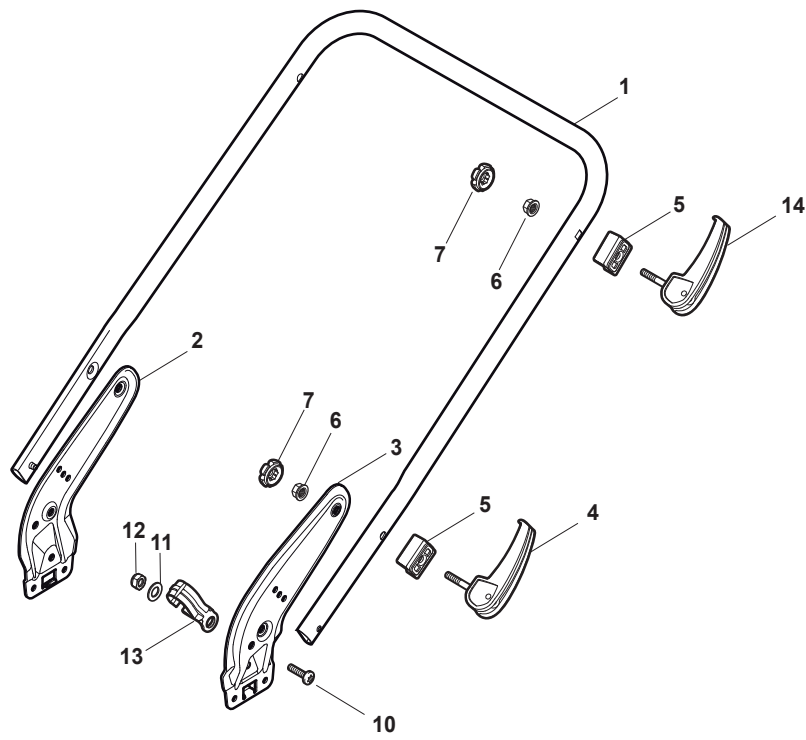


Fig.	Quantity	Part No	Description	Notes
1	1	381006719/0	Handle Lower Part	Black
1	1	381006720/0	Handle Lower Part	Grey
1	1	381007539/0	Handle, Lower Part Yellow	Yellow
2	1	381005149/0	Right Bracket	Black
2	1	381005185/0	Right Bracket	Stiga Grey
3	1	381005151/0	Left Bracket	Black
3	1	381005187/0	Left Bracket	Stiga Grey
4	4	381003253/0	Handle	
5	4	322680016/0	Washer	
6	4	122131750/0	Nut	
7	4	322399835/0	Knob	
10	2	112760605/0	Screw	
11	2	125038002/1	Bushing	
12	2	112155000/0	Nut	
13	1	322192156/0	Clip	
14	2	381103350/0	Handle	

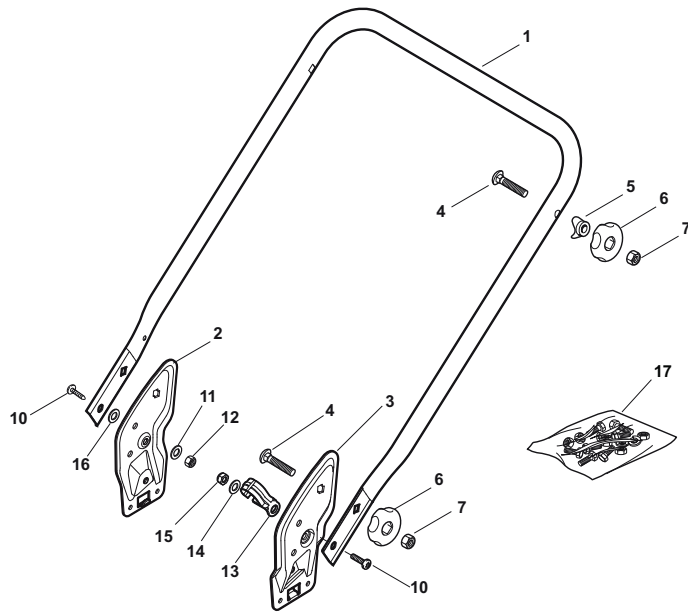


Fig.	Quantity	Part No	Description	Notes
1	1	381007043/0	Handle Lower Part	
2	1	381005133/0	Right Bracket	
3	1	381005135/0	Left Bracket	
4	1	112819120/0	Screw	
5	4	122680006/1	Washer	
6	4	322399804/1	Nut	
7	4	112293200/0	Nut	
10	4	112760605/0	Screw	
11	1	125038002/1	Bushing	
12	2	112155000/0	Nut	
13	2	322192156/0	Clip	
14	1	112523040/0	Washer	
15	1	112154510/0	Nut	
16	1	112369500/0	Elastic Washer	

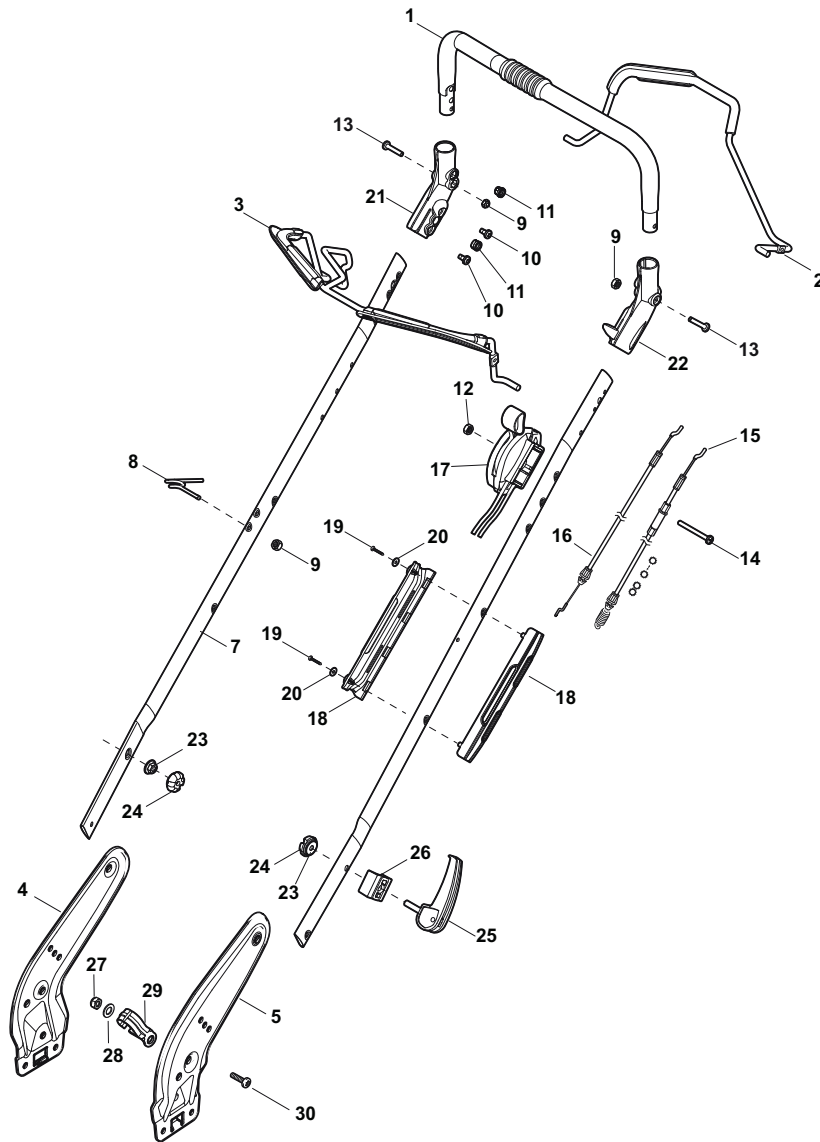


Fig.	Quantity	Part No	Description	Notes
1	1	381006670/2	Handle Tube	
2	1	381003349/0	Lever, Driving	
3	1	381003472/0	Lever, Engine Brake	Black
3	1	381003344/0	Lever, Engine Brake	Red
4	1	381005149/0	Right Bracket	Black
4	1	381005185/0	Right Bracket	Stiga Grey
5	1	381005151/0	Left Bracket	Black
5	1	381005187/0	Left Bracket	Stiga Grey
7	2	381006773/1	Handle Black	
7	2	381006774/1	Handle Grey	
8	1	122430309/0	Spring	
9	2	112154330/0	Nut	
10	4	112735662/1	Screw	
11	4	322041967/1	Bushing	
12	3	112154510/0	Nut	
13	2	112728721/0	Screw	
14	1	112727786/0	Screw	
15	1	381030093/1	Cable Rear Drive	
16	1	181030074/0	Cable, Thread Engine Brake	
17	1	181005525/0	Throttle Cable	for B&S 575 Series
17	1	181005502/1	Throttle Cable	for B&S Engine
17	1	181005512/0	Throttle Cable	for Honda and GGP Engine
17	1	181005513/0	Throttle Cable	for Honda Autochoke Engine
18	1	322806644/0	Protection	
19	2	112727812/0	Screw	
20	2	112523000/1	Washer	
21	1	322488301/0	Joint Sleeve Grey Right	
22	1	322488303/0	Joining Sleeve Grey Left	
23	2	112154220/0	Nut	
24	2	322399835/0	Knob	
25	2	381003253/0	Handle	
26	2	322680017/0	Washer	
27	1	112155000/0	Nut	
28	1	125038002/1	Bushing	
29	1	322192156/0	Clip	
30	1	112760605/0	Screw	

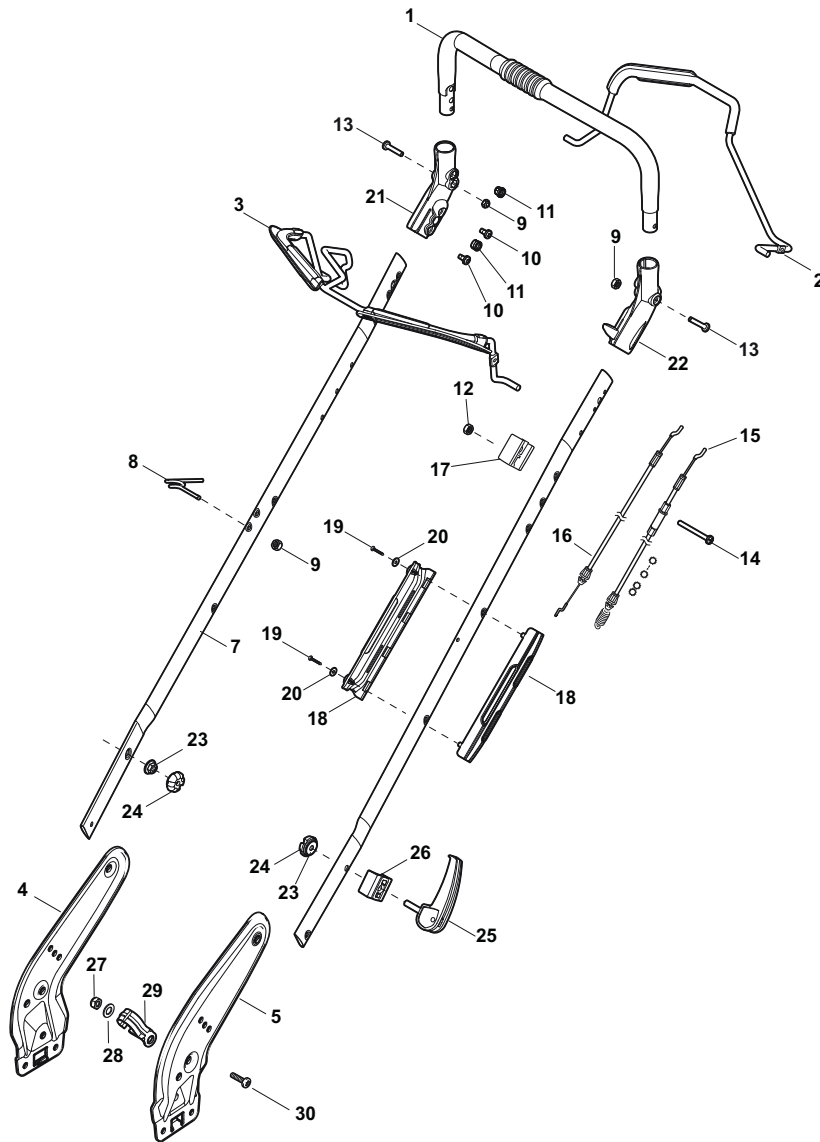


Fig.	Quantity	Part No	Description	Notes
1	1	381006670/2	Handle Tube	
2	1	381003349/0	Lever, Driving	
3	1	381003472/0	Lever, Engine Brake	Black
3	1	381003344/0	Lever, Engine Brake	Red
4	1	381005149/0	Right Bracket	Black
4	1	381005185/0	Right Bracket	Stiga Grey
5	1	381005151/0	Left Bracket	Black
5	1	381005187/0	Left Bracket	Stiga Grey
7	2	381006773/1	Handle Black	
7	2	381006774/1	Handle Grey	
8	1	122430309/0	Spring	
9	2	112154330/0	Nut	
10	4	112735662/1	Screw	
11	4	322041967/1	Bushing	
12	3	112154510/0	Nut	
13	2	112728721/0	Screw	
14	1	112727784/0	Screw	
15	1	381030097/0	Cable Rear Drive	
16	1	181030100/0	Cable, Thread Engine Brake	
17	1	322551639/0	Fixed Plate	
18	1	322806644/0	Protection	
19	2	112727812/0	Screw	
20	2	112523000/1	Washer	
21	1	322488301/0	Joint Sleeve Grey Right	
22	1	322488303/0	Joining Sleeve Grey Left	
23	2	112154220/0	Nut	
24	2	322399835/0	Knob	
25	2	381003253/0	Handle	
26	2	322680017/0	Washer	
27	1	112155000/0	Nut	
28	1	125038002/1	Bushing	
29	1	322192156/0	Clip	
30	1	112760605/0	Screw	

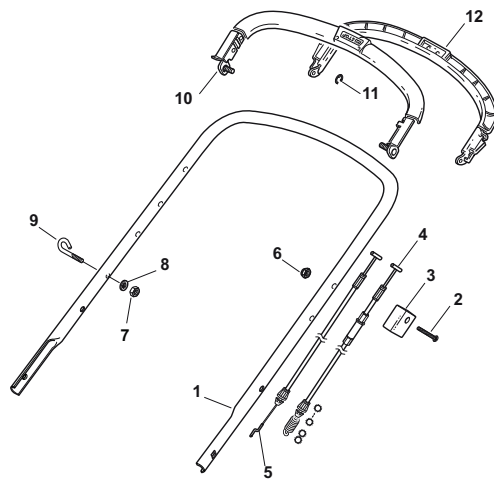


Fig.	Quantity	Part No	Description	Notes
1	1	381006867/0	Upper Handle Grey	Grey
1	1	381006979/2	Upper Handle	Black
2	1	112727787/0	Screw	
3	1	322551640/0	Plate	
5	1	181030056/0	Cable, Thread Engine Brake	Honda / B&S / GGP Engine
5	1	181030057/0	Cable, Thread Engine Brake	SV40 / RV 40 / V35 Engine
6	1	112154510/0	Nut	
7	1	112154510/0	Nut	
8	1	112521330/0	Washer	
9	1	122430313/0	Guide Spring	
10	1	381003330/0	Lever, Engine Brake	
11	1	112000930/0	Benzing Ring	
12	1	381003297/1	Driving Lever	

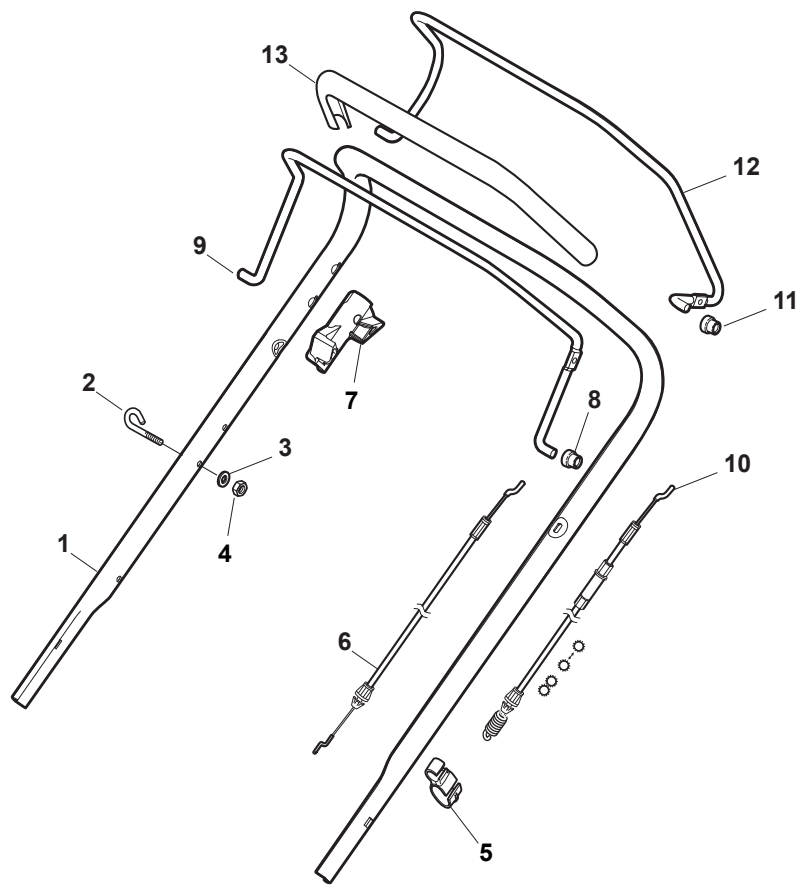


Fig.	Quantity	Part No	Description	Notes
1	1	381006838/0	Handle, Upper Part Black	for Delta Dashboard - Fix RPM - Throttle
1	1	381007522/0	Handle, Upper Part Black	for TD-CA Dashboard
1	1	381007525/0	Handle, Upper Part Grey	for TD-CA Dashboard
1	1	381007540/0	Handle, Upper Part Yellow	for Delta Dashboard - Fix RPM - Throttle
2	1	122430313/0	Guide Spring	
3	1	112521330/0	Washer	
4	1	112154510/0	Nut	
5	1	118390020/0	Conduit Clip Caproeurope	
6	1	181030053/0	Cable, Thread Engine Brake	GGP Engine / B&S 450-500-550-575-625-675-750 Series
6	1	181030070/0	Cable, Thread Engine Brake	Honda Engine
7	1	322545204/0	Fulcrum Pin	
8	1	122041966/0	Bushing	
9	1	181003300/1	Lever, Engine Brake Black	
10	1	381030092/1	Cable Rear Drive	
11	1	122041966/0	Bushing	
12	1	181003301/0	Drive Control Lever	
13	1	122291050/0	Handgrip Black	

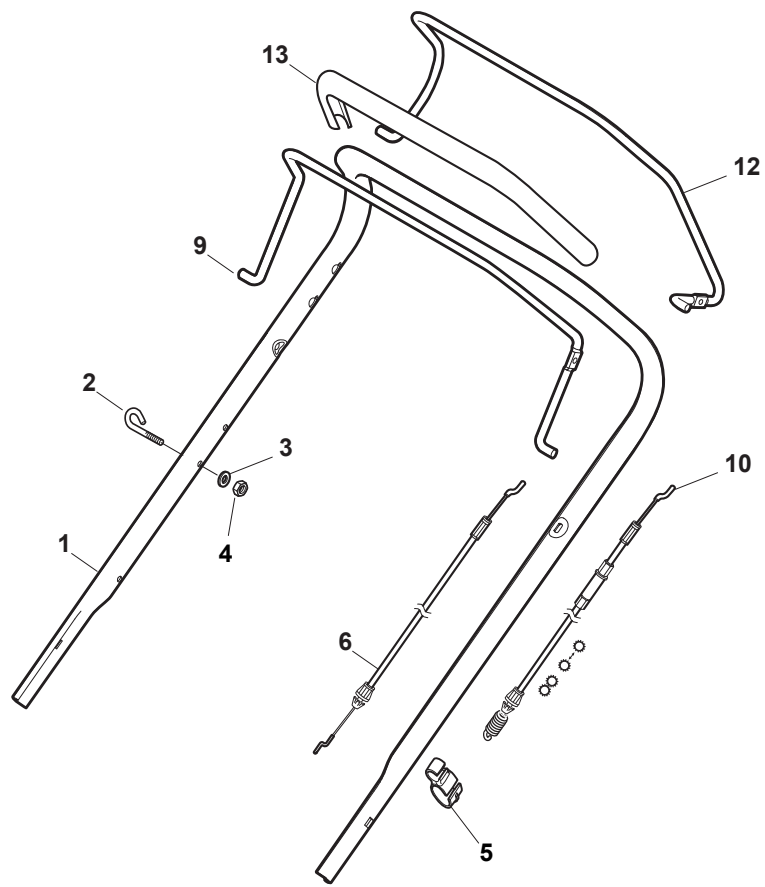


Fig.	Quantity	Part No	Description	Notes
1	1	381006840/0	Handle, Upper Part	for Delta Dashboard - Fix RPM - Throttle
1	1	381007520/0	Handle, Upper Part	for TD-CA Dashboard
2	1	122430313/0	Guide Spring	
3	1	112521330/0	Washer	
4	1	112154510/0	Nut	
5	1	118390020/0	Conduit Clip Caproeuropa	
6	1	181030053/0	Cable, Thread Engine Brake	GGP Engine / B&S 450-500-550-575-625-675-750 Series
6	1	181030054/0	Cable, Thread Engine Brake	SV40 / RV 40 / V35 Engine
6	1	181030070/0	Cable, Thread Engine Brake	Honda Engine
9	1	181003363/1	Lever, Engine Brake Black	
10	1	381030092/1	Cable Rear Drive	
12	1	181003364/0	Drive Control Lever	
13	1	122291050/0	Handgrip Black	

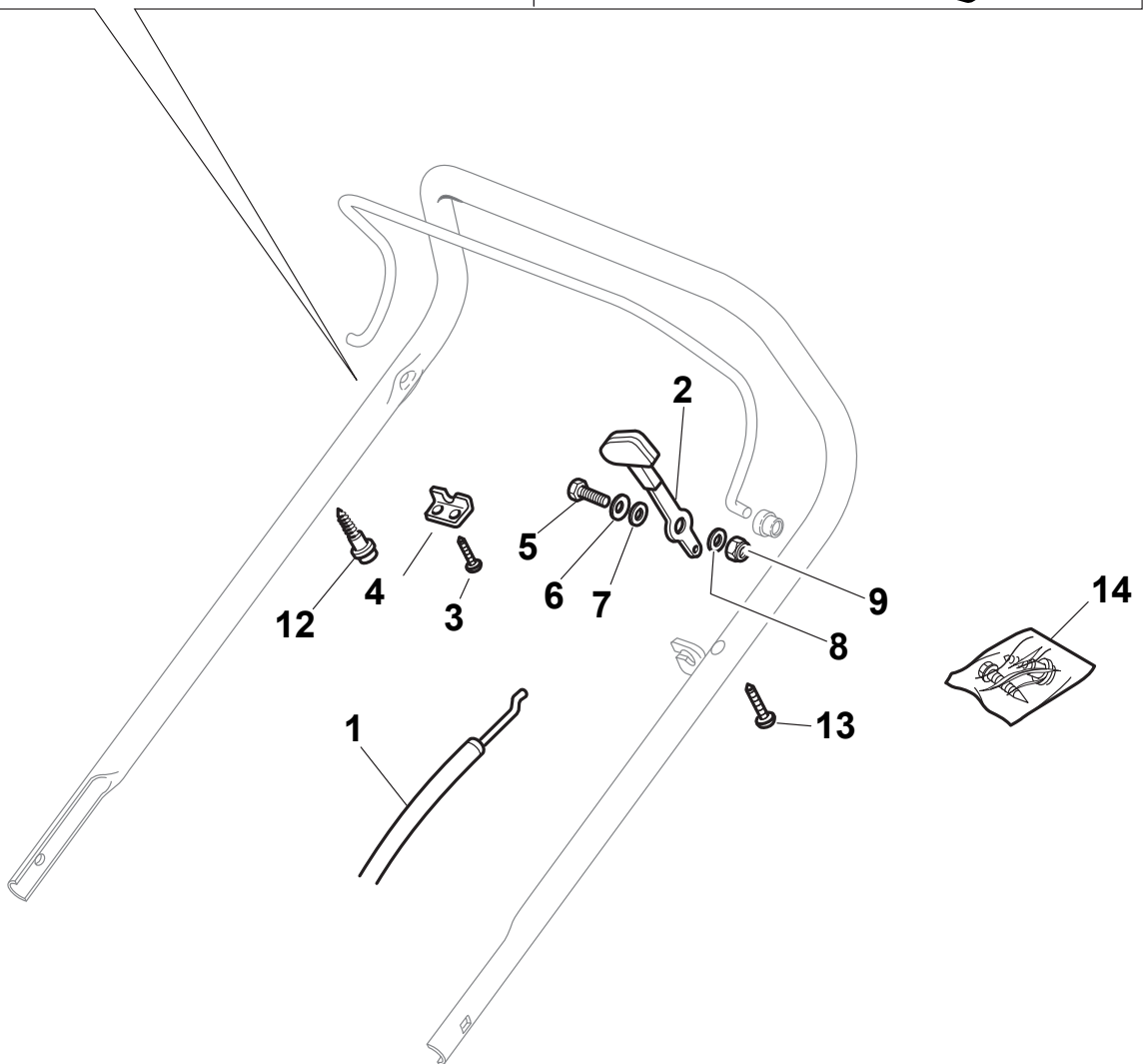
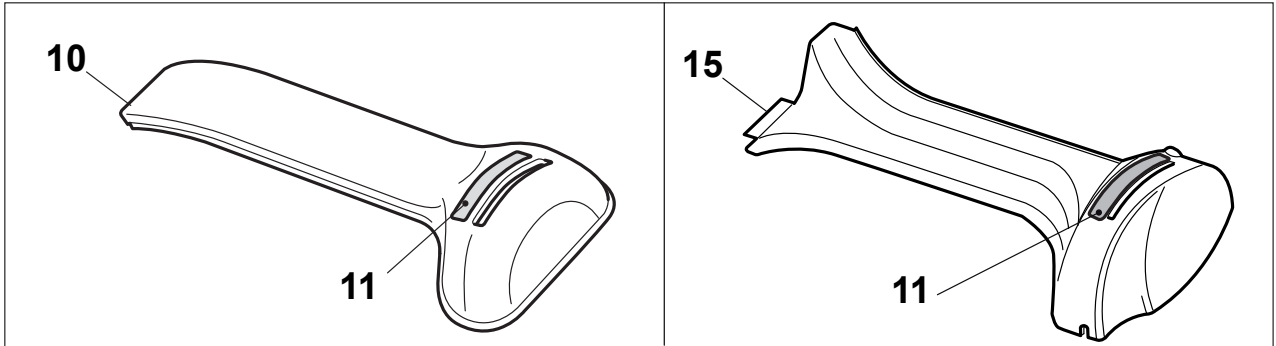
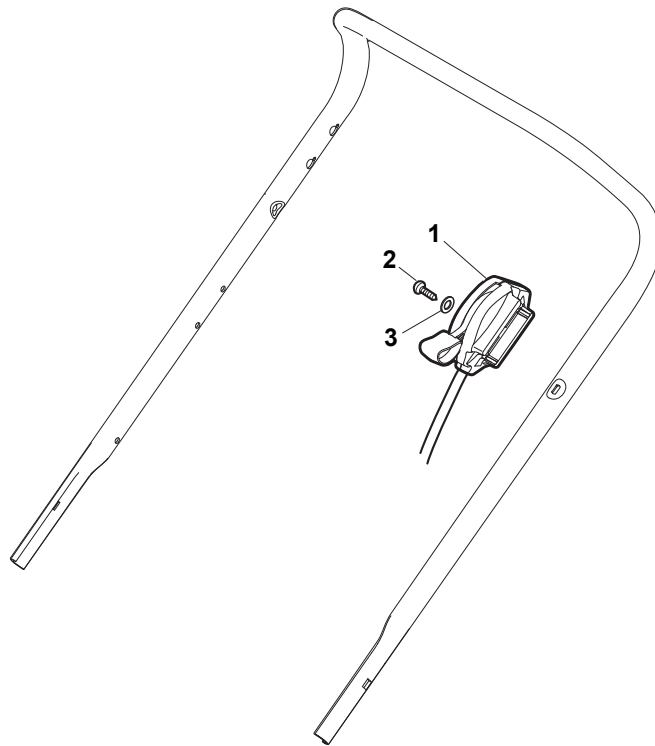


Fig.	Quantity	Part No	Description	Notes
1	1	481007160/0	Throttle Cable	
2	1	381007221/0	Dashboard Throttle Lever	only for B&S 450-500 Series and SV40/RV40/V35 Engines
2	1	381007280/2	Dashboard Throttle Lever	
3	2	112735105/0	Screw	
4	1	322981467/0	Plate	
5	1	112791500/0	Screw	
6	1	112530060/0	Spring Washer	
7	1	112523040/0	Washer	
8	1	112523040/0	Washer	
9	1	112154510/0	Nut	
10	1	322120189/0	Red Dashboard	
11	1	114356743/1	Label	for GGP and HONDA Engines
11	1	114356744/1	Label	for B&S Engines
11	1	114356906/1	Label	for DOV Series
11	1	114357646/1	Label	for HONDA Autochoke Engines
12	1	122943006/0	Screw	
13	1	112728460/0	Screw	
14	1	381008609/0	Outfit, Screws	
15	1	422120152/0	Yellow Dashboard	Yellow
15	1	422120154/0	Red Dashboard	Red
15	1	422120158/0	Black Dashboard	Black



NTL 534 W TR/E - W TRQ/E

WBH Petrol Steel Controls

Issue 9 - 2015

Fig.	Quantity	Part No	Description	Notes
1	1	181005503/1	Throttle Cable	for HONDA AC Engines
1	1	181005504/1	Throttle Cable	for SV40/RV40/V35 Engines
1	1	181005515/0	Throttle Cable	for B&S 500-550-575 Series
1	1	181005537/0	Throttle Cable	for GGP RS/RSC/RSCT Engines
1	1	181005501/1	Throttle Cable	for GGP and HONDA Engines
2	1	112735103/0	Screw	
3	1	112523040/0	Washer	

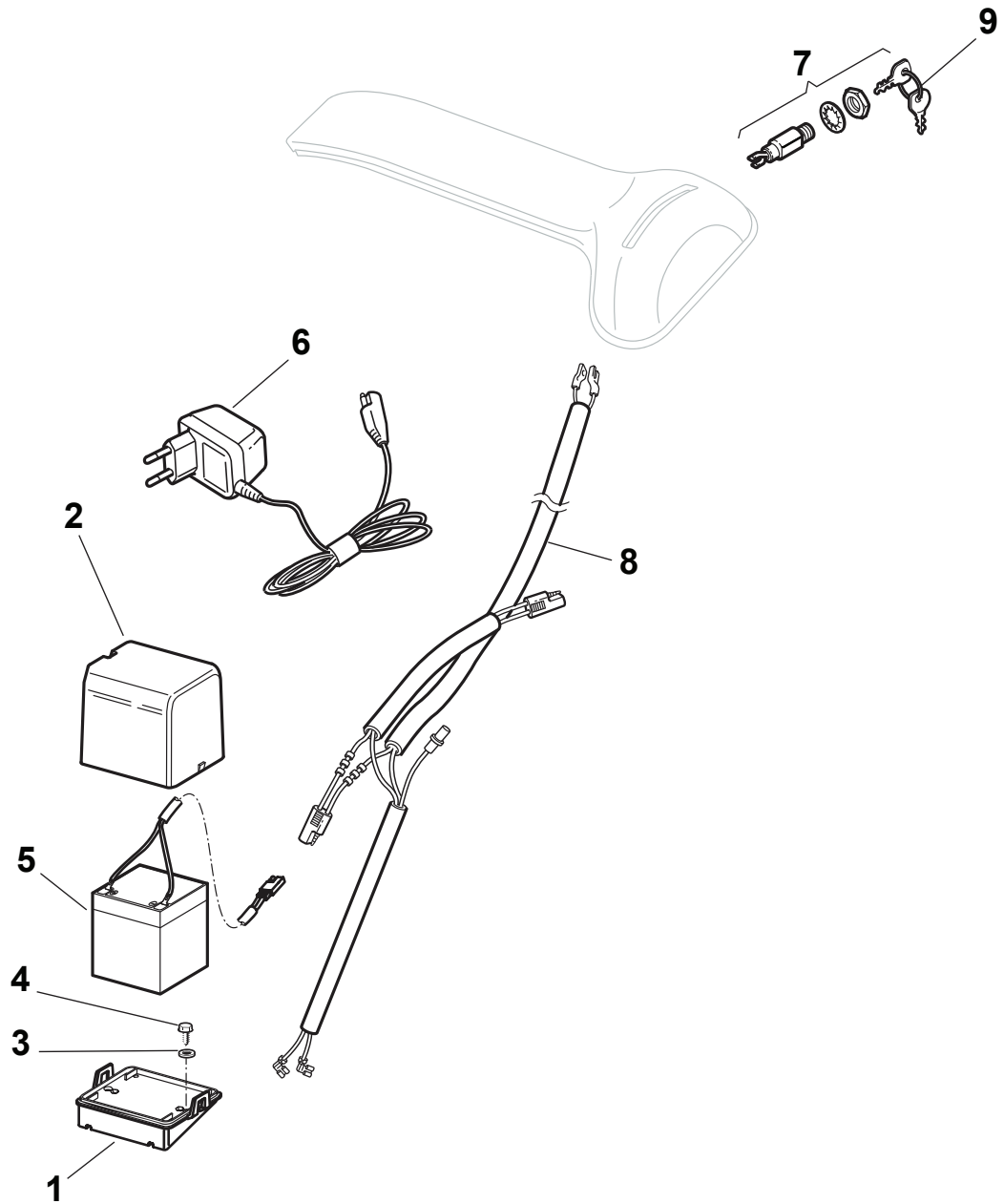
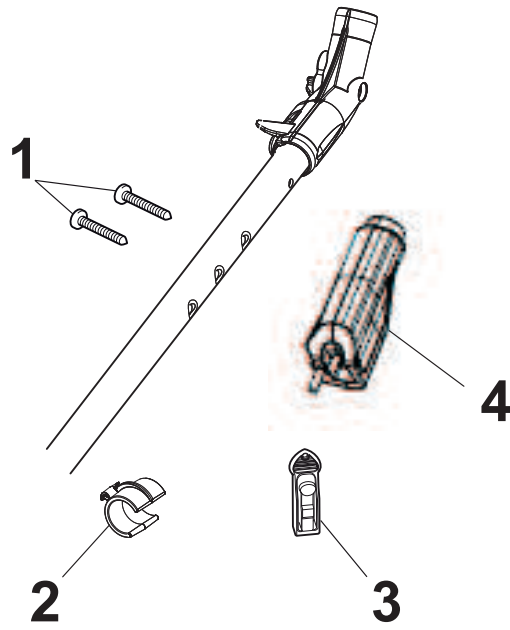


Fig.	Quantity	Part No	Description	Notes
1	1	322785123/0	Battery Support	
2	1	322109530/0	Battery Cover	
3	2	112521310/0	Washer	
4	2	112731590/0	Screw	
5	1	118120052/0	Battery	
6	1	118204120/0	Battery Charger	CE plugg
6	1	118204121/0	Battery Charger	UK plugg
6	1	118204136/0	Battery Charger	CE plugg with B&S 775 IS
7	1	118450051/0	Switch	
8	1	118204198/0	Electric Start Wire	for Honda Engines
8	1	118204192/3	Electric Start Wire	for B&S and GGP Engines
9	1	118210016/1	Starting Key	



NTL 534 W TR/E - W TRQ/E

WBH Petrol Steel Electric Start Controls for ModelS with B&S 775 IS

Issue 9 - 2015

Fig.	Quantity	Part No	Description	Notes
1	1	112728702/0	Screw	without Varietor
1	1	112728300/0	Screw	with Varietor
2	1	133320022/0	Fastpoint Clamp Art.0384.Aa01	
3	1	322076570/1	Battery Safety Key	
4	1	381600400/0	Switch	

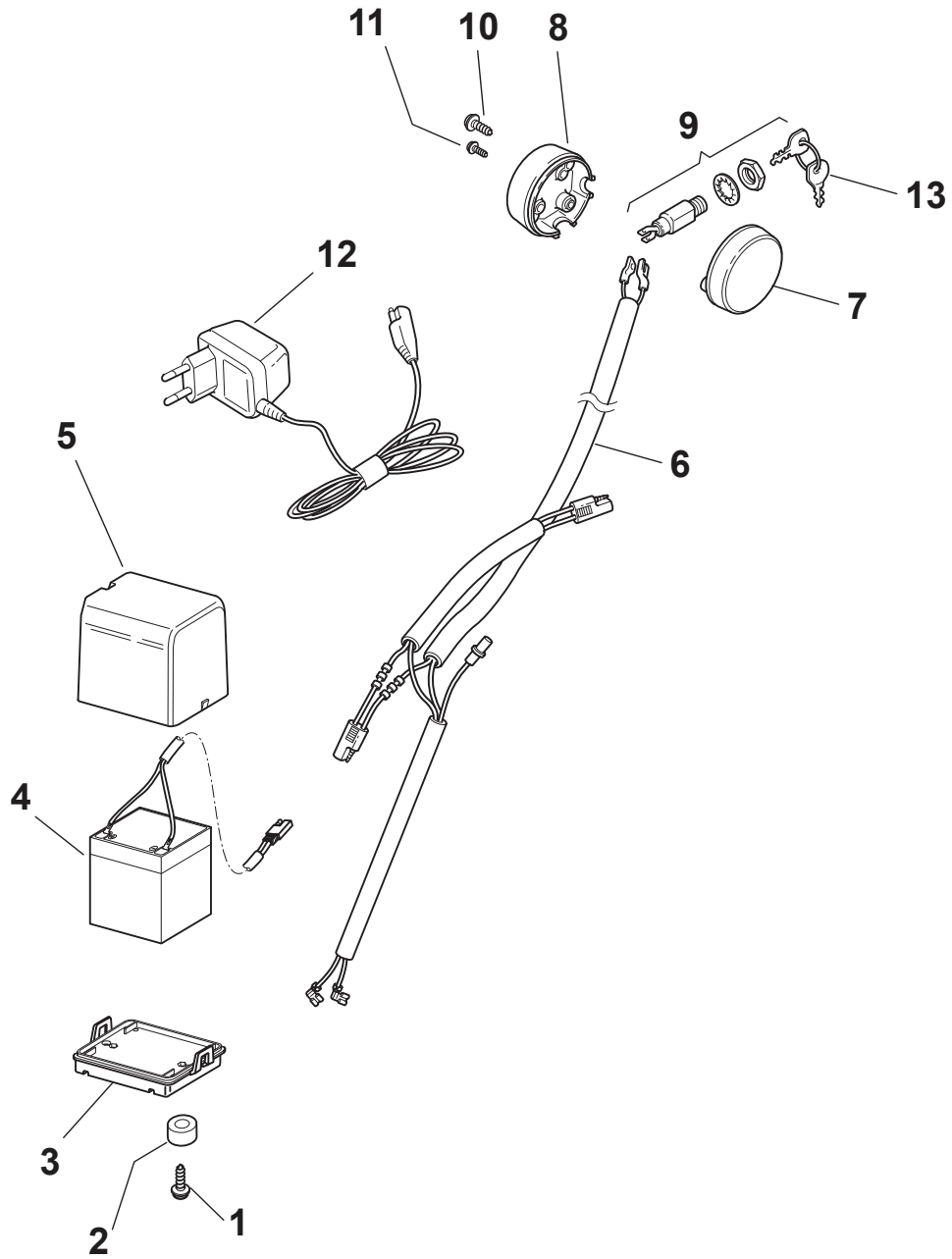


Fig.	Quantity	Part No	Description	Notes
1	2	112731590/0	Screw	
2	2	125160012/0	Spacer	
3	1	322785123/0	Battery Support	
4	1	118120052/0	Battery	
5	1	322109530/0	Battery Cover	
6	1	118204192/3	Electric Start Wire	for B&S and GGP Engines
6	1	118204198/0	Electric Start Wire	for Honda Engines
7	1	322722801/0	Starting Block Outer Half-Bearing	
8	1	322722800/0	Starting Block Inner Half-Bearing	
9	1	118450050/0	Starting Block	
10	2	112728702/0	Screw	
11	1	112728691/0	Screw	
12	1	118204120/0	Battery Charger	CE plugg
12	1	118204136/0	Battery Charger	CE plugg with B&S 775IS
12	1	118204121/0	Battery Charger	UK plugg
13	1	118210016/1	Starting Key	

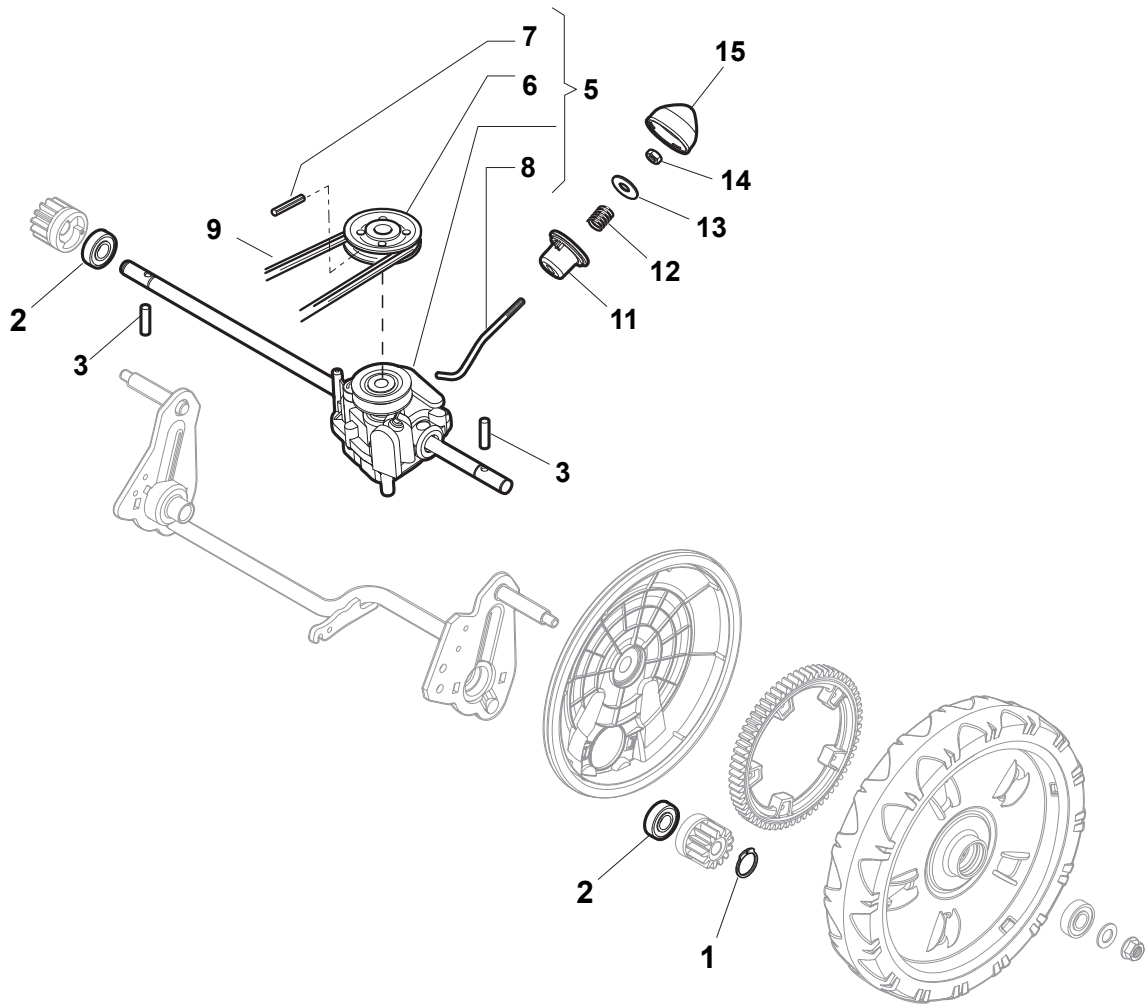
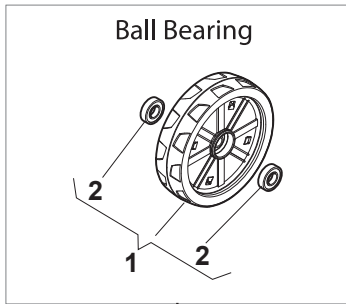
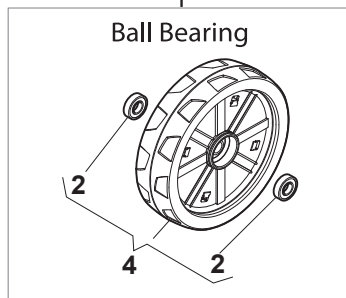
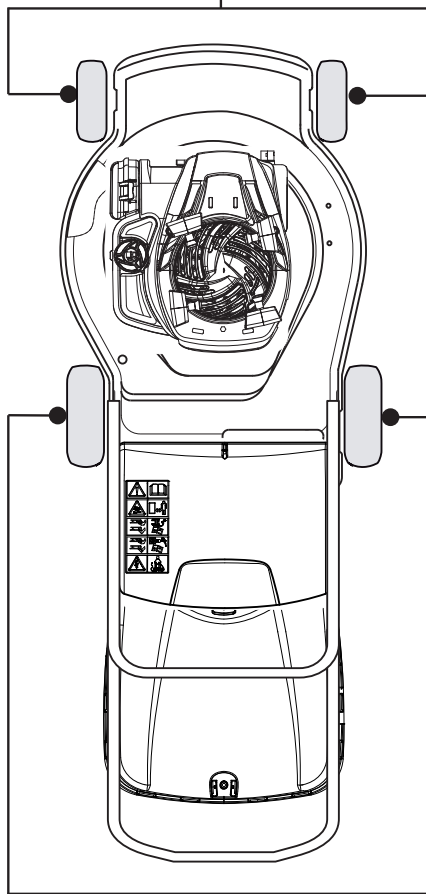
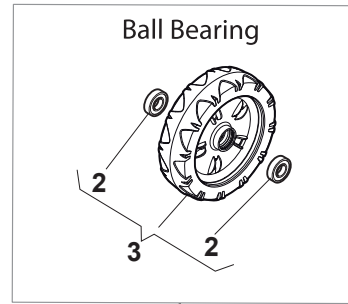


Fig.	Quantity	Part No	Description	Notes
1	2	112608600/0	Seeger	
2	2	119216035/0	Bearing	
3	2	122753000/0	Pin	
5	1	181003076/1	Gear Box	
6	1	122601904/0	Pulley	
7	1	112645700/0	Elastic Pin	
8	1	122033283/0	Adjustment Rod	
9	1	135063902/0	Belt	
11	1	122041957/1	Bushing	
12	1	122450063/0	Spring	
13	1	322680009/0	Washer	
14	1	112154510/0	Nut	
15	1	122110230/0	Hub Cover	

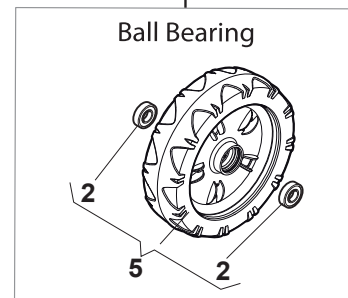
DELTA Wheels - Ø 200



NTD Wheels - Ø 200



DELTA Wheels - Ø 280



NTD Wheels - Ø 280

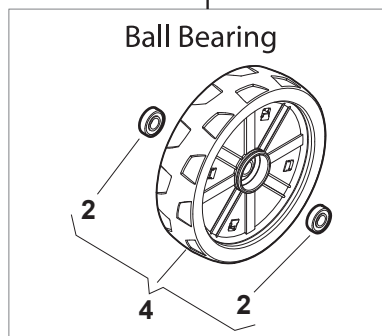
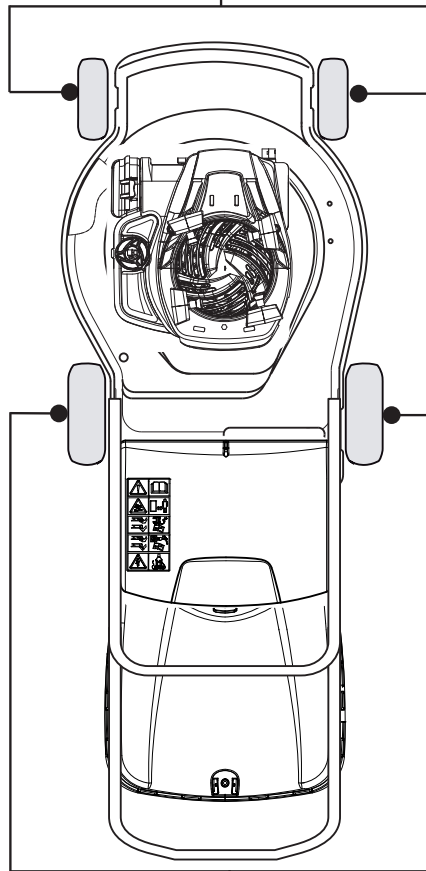
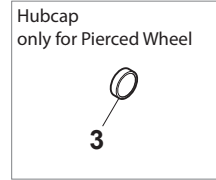
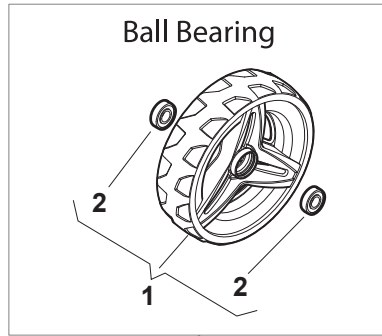
NTL 534 W TR/E - W TRQ/E

WBH Petrol Steel Wheels and Hub Caps

Issue 9 - 2015

Fig.	Quantity	Part No	Description	Notes
1	2	381007483/1	Wheel	
2	8	119216035/0	Bearing	
3	2	381007416/2	Wheel	
4	2	381007478/1	Wheel	
5	2	381007417/2	Wheel	

DELTA Wheel (Pierced) - Ø 200



DELTA Wheel - Ø 280

NTL 534 W TR/E - W TRQ/E

WBH Petrol Steel Wheels and Hub Caps

Issue 9 - 2015

Fig.	Quantity	Part No	Description	Notes
1	2	381007477/0	Wheel	
2	8	119216035/0	Bearing	
3	2	322110640/0	Hub Cap Grey	
4	2	381007478/1	Wheel	

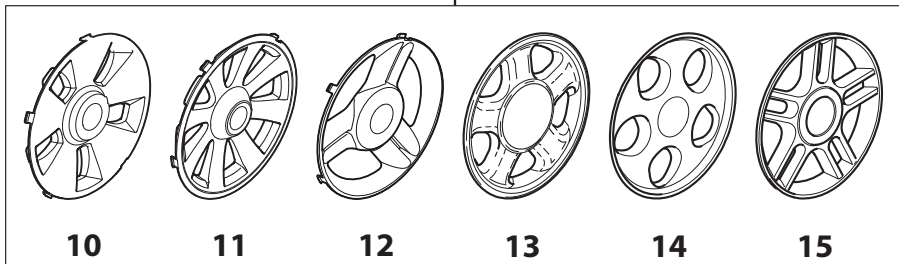
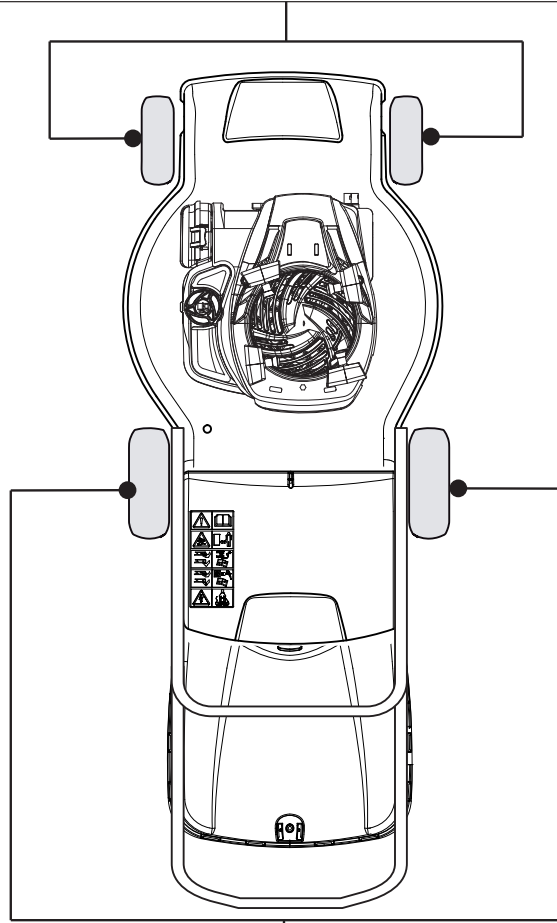
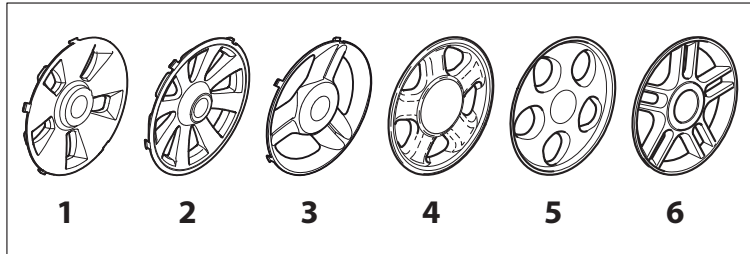
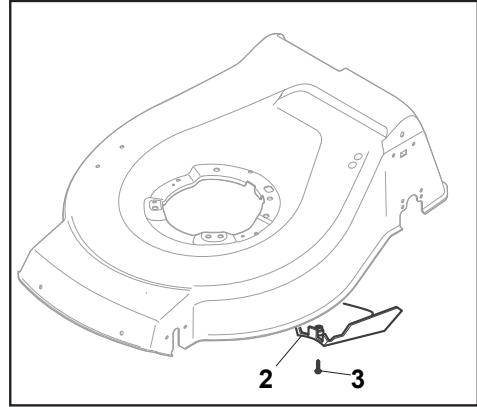
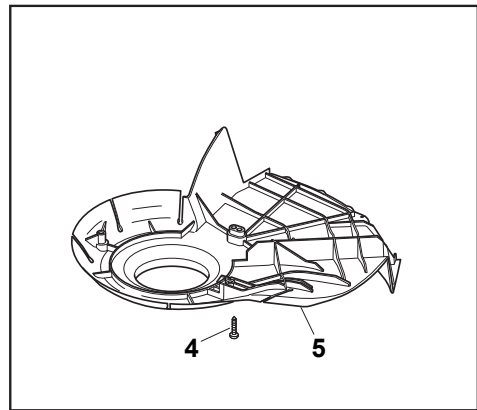


Fig.	Quantity	Part No	Description	Notes
1	2	322110643/0	Hub Cap Grey	
2	2	322110645/0	Hub Cap Grey	
2	2	322110649/0	Hub Cap Yellow	
3	2	322110687/0	Hub Cap Grey	
4	2	322110382/0	Hub Cap Grey	
5	2	322110416/0	Hub Cap Grey	
6	2	322110492/0	Hub Cap Grey	
10	2	322110644/0	Hub Cap Grey	
11	2	322110646/0	Hub Cap Grey	
11	2	322110650/0	Hub Cap Yellow	
12	2	322110641/0	Hub Cap Grey	
13	2	322110511/0	Hub Cap Grey	
14	2	322110417/0	Hub Cap Grey	
15	2	322110560/0	Hub Cap Grey	

CARTER STANDARD (No Mulching)



CARTER MULCHING (No Mulching)



KIT MULCHING

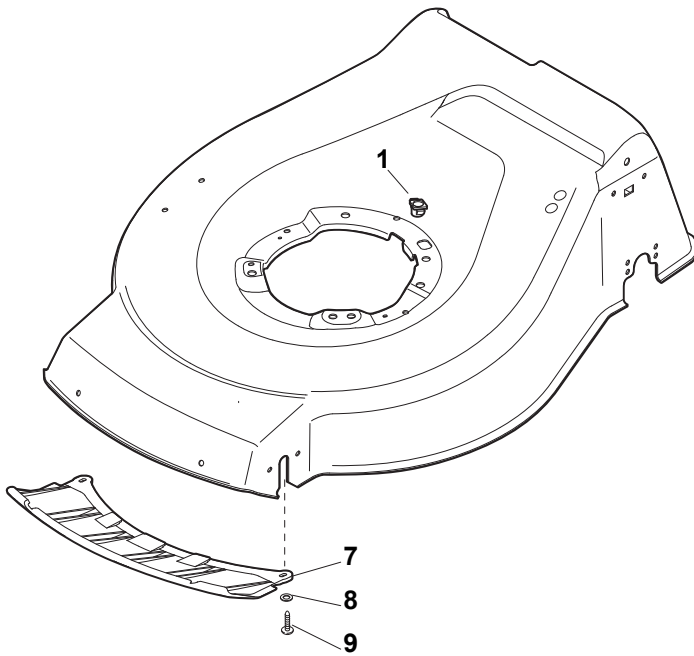
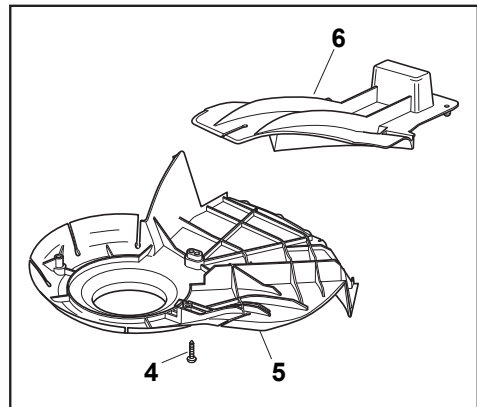
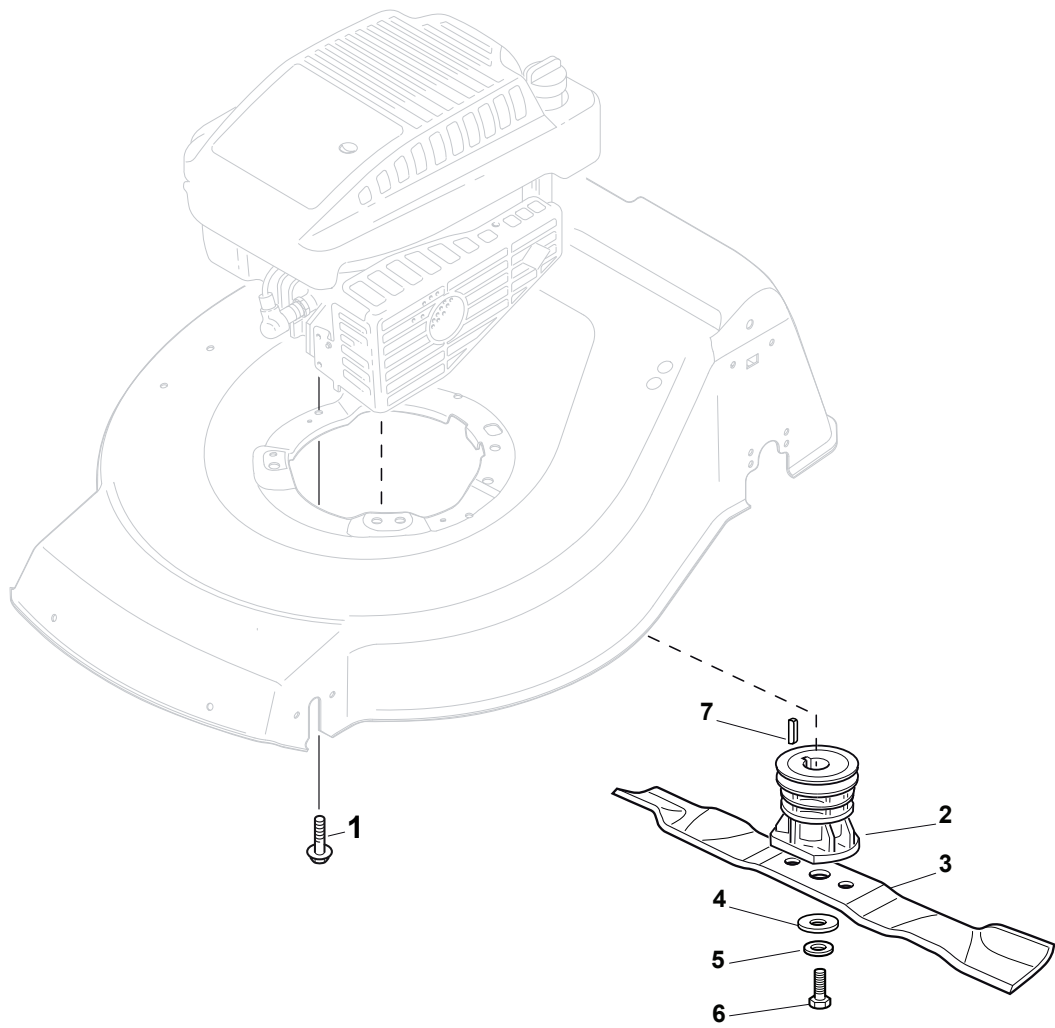


Fig.	Quantity	Part No	Description	Notes
1	1	322291150/0	Rubber Insert	
2	1	122060193/0	Belt Protection	
3	1	112728530/0	Screw	
4	3	112728530/0	Screw	
5	1	322060197/3	Belt Protection	Not for BBC models
6	1	122140222/0	Mulching Deflector	
7	1	322500103/0	Front Combi	
8	2	112523000/1	Washer	
9	2	112728124/0	Screw	



WBH Petrol Steel Blade

Issue 9 - 2015

Fig.	Quantity	Part No	Description	Notes
1	3	112735108/1	Screw	
2	1	122465607/3	Hub With Pulley, Crankshaft Ø 22.2	for B&S and GGP Engines
2	1	122465608/2	Hub With Pulley, Crankshaft Ø 25	for HONDA Engines
3	1	181004381/1	Blade Standard	
4	1	122160400/0	Elastic Disc	
5	1	112523080/0	Washer	
6	1	112735698/0	Screw	
7	1	112139100/0	Feather, Crankshaft Ø 22,2	for B&S and GGP Engines
7	1	112139150/0	Feather, Crankshaft Ø 25	for HONDA Engines

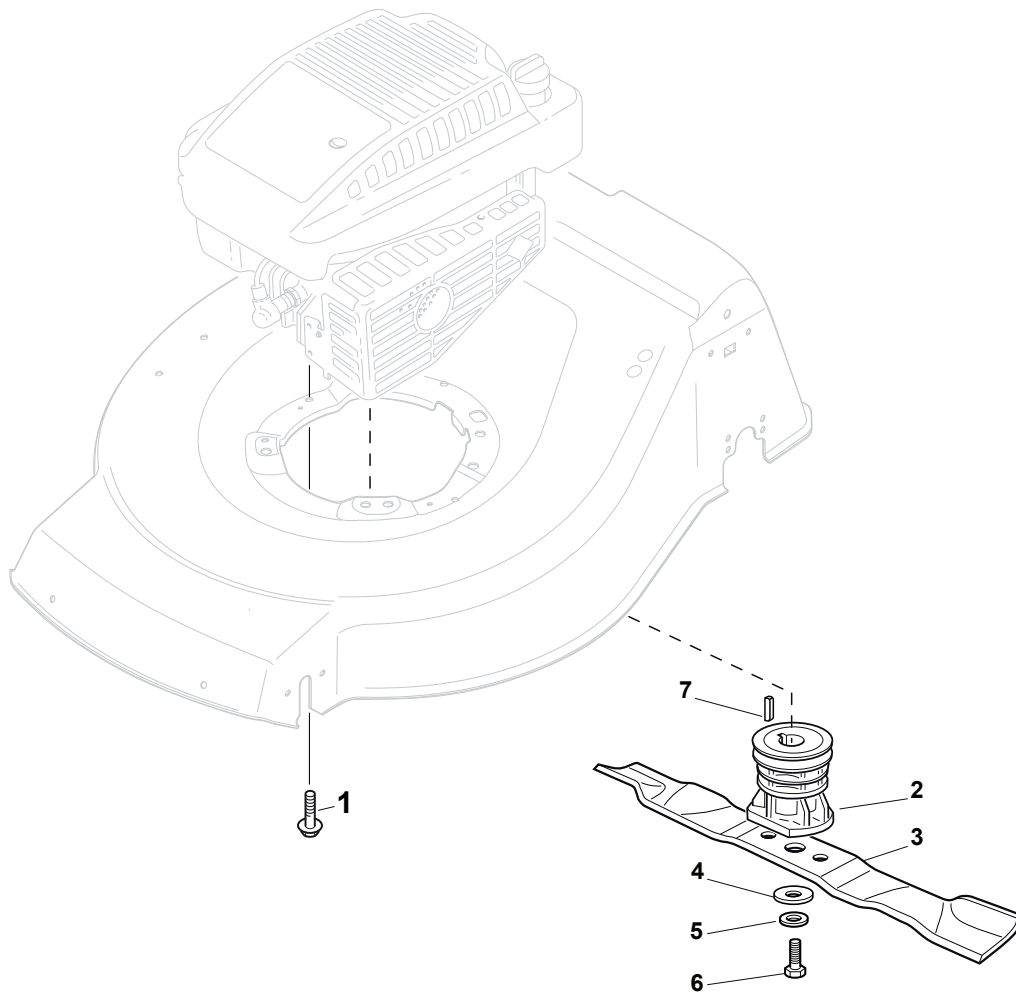


Fig.	Quantity	Part No	Description	Notes
1	3	112735108/1	Screw	
2	1	122465607/3	Hub With Pulley, Crankshaft Ø 22.2	for B&S and GGP Engines
2	1	122465608/2	Hub With Pulley, Crankshaft Ø 25	for HONDA Engines
3	1	181004398/0	Blade Winged	
4	1	122160400/0	Elastic Disc	
5	1	112523080/0	Washer	
6	1	112735698/0	Screw	
7	1	112139100/0	Feather, Crankshaft Ø 22,2	for B&S and GGP Engines
7	1	112139150/0	Feather, Crankshaft Ø 25	for HONDA Engines

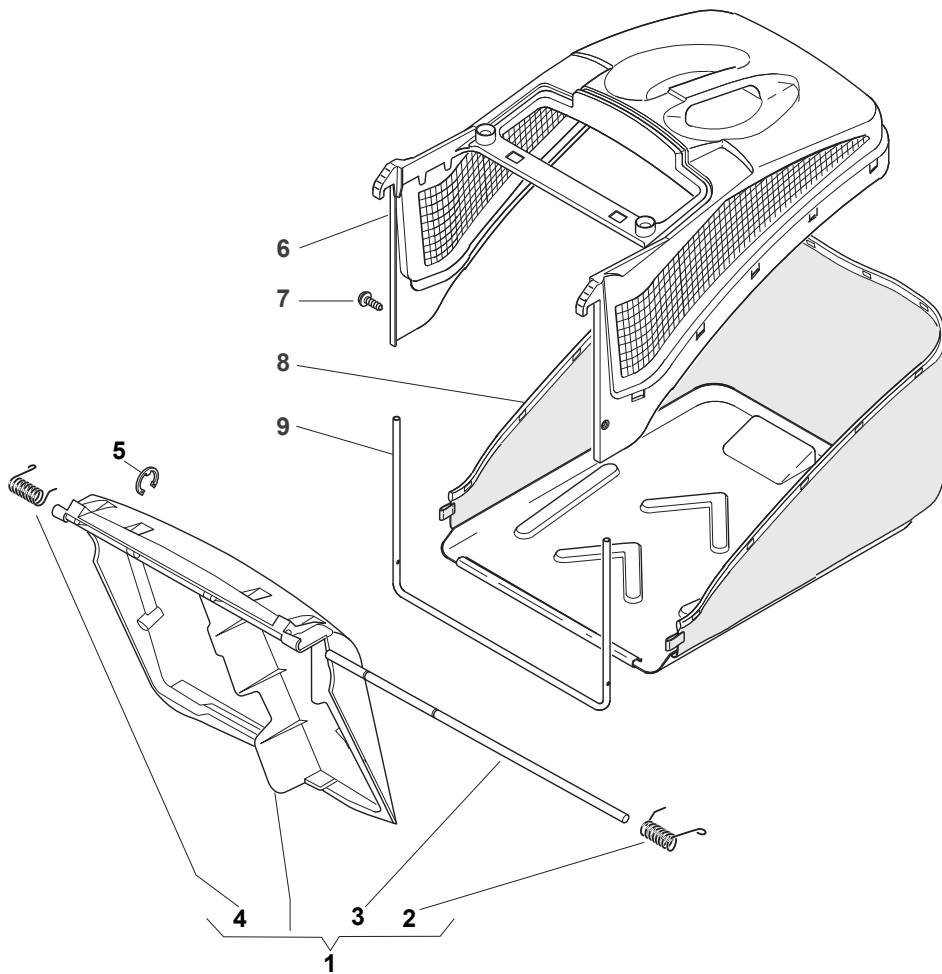


Fig.	Quantity	Part No	Description	Notes
1	1	381008021/2	Stone Guard	Black
2	1	122450420/1	Left Protection Spring	
3	1	122517906/1	Fulcrum Pin	
4	1	122450410/1	Right Spring	
5	1	112000930/0	Benzing Ring	
6	1	122486093/0	Box, Upper Side	
7	2	112728445/0	Screw	
8	1	181002195/0	Box, Fabric	
9	1	122608523/0	Stiffening	

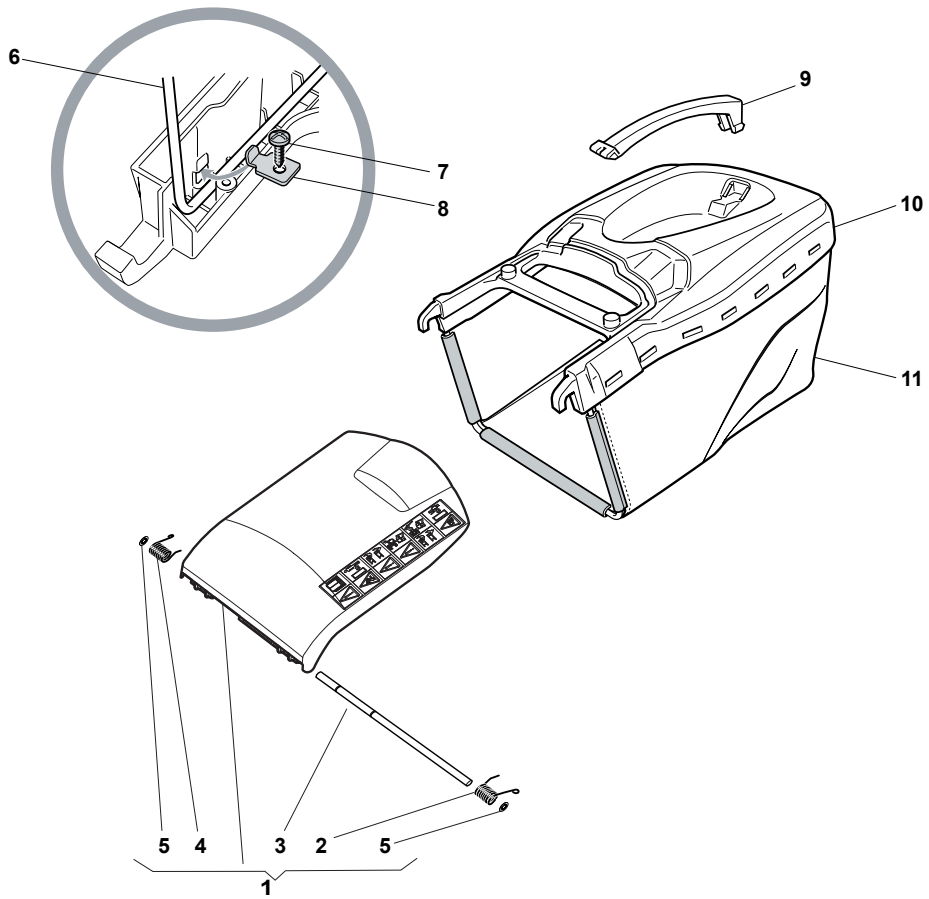


Fig.	Quantity	Part No	Description	Notes
1	1	381008129/0	Stone Guard, Yellow	Yellow
1	1	381008128/0	Stone Guard, Black	Black
2	1	122450466/0	Left Spring	
3	1	122517882/0	Pin	
4	1	122450465/0	Right Spring	
5	2	112604899/0	Crown Fastener	
6	1	122608505/0	Stiffening	
7	2	112728680/0	Screw	
8	2	322545159/0	Plate	
9	1	322393657/0	Handle	Black
9	1	322393721/0	Handle	Grey
10	1	381486009/0	Grass-Box, Upper	Black
10	1	381486031/0	Grass-Box, Upper	Grey
11	1	181002345/0	Box, Fabric	

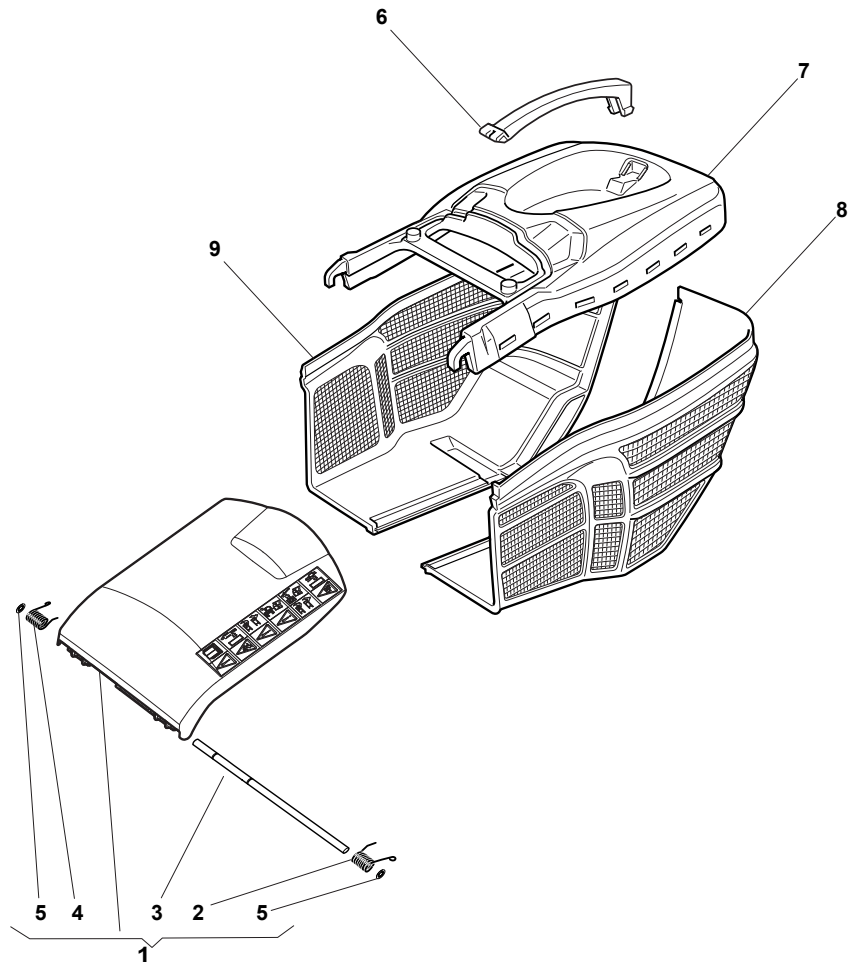


Fig.	Quantity	Part No	Description	Notes
1	1	381008129/0	Stone Guard, Yellow	Yellow
1	1	381008128/0	Stone Guard, Black	Black
2	1	122450466/0	Left Spring	
3	1	122517882/0	Pin	
4	1	122450465/0	Right Spring	
5	2	112604899/0	Crown Fastener	
6	1	322393657/0	Handle	Black
6	1	322393721/0	Handle	Grey
7	1	381486009/0	Grass-Box, Upper	Black
7	1	381486031/0	Grass-Box, Upper	Grey
8	1	322486306/0	Grass-Box, L Lower	Black
9	1	322486305/0	Grass-Box, R Lower	Black

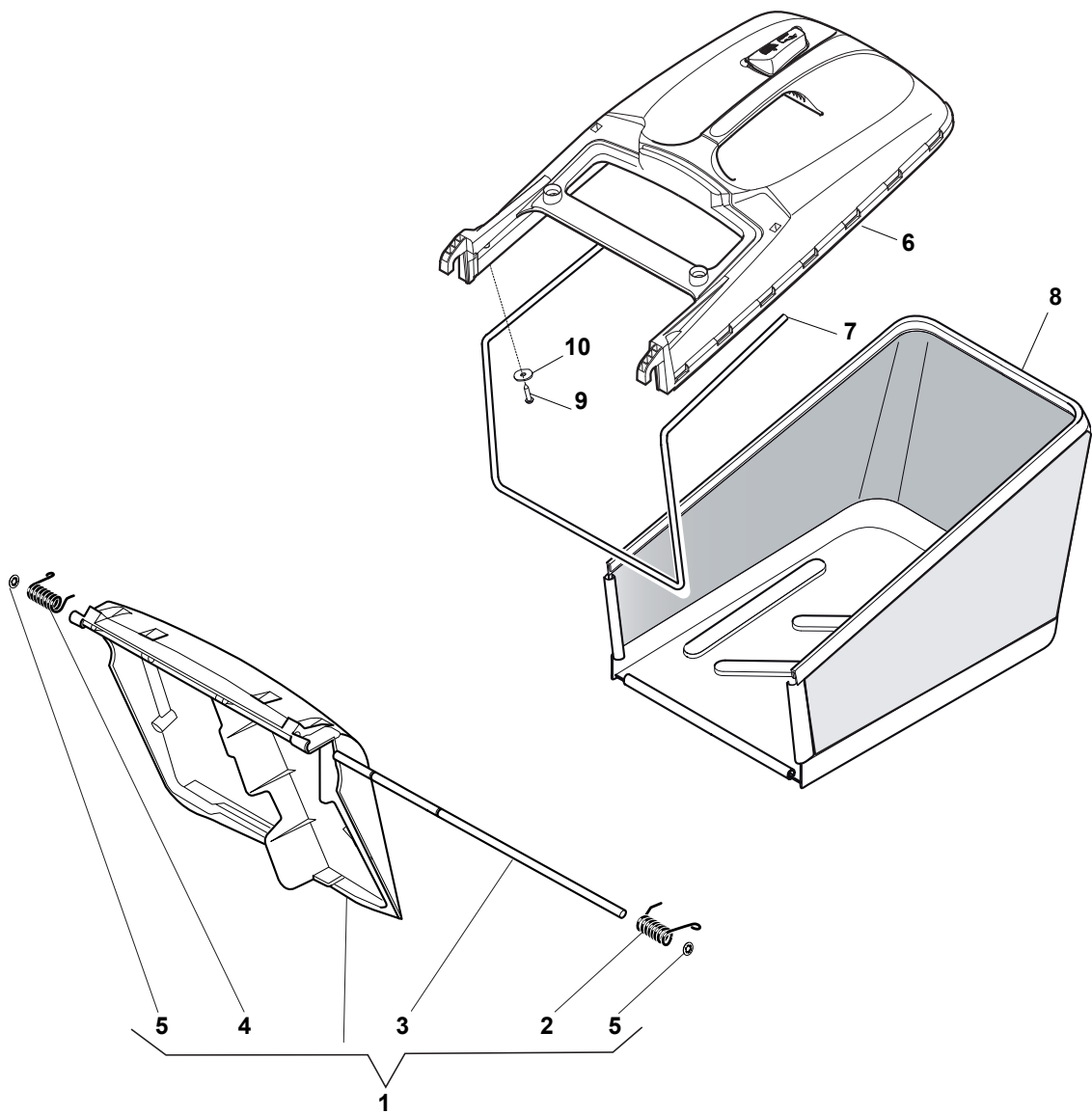


Fig.	Quantity	Part No	Description	Notes
1	1	381008081/2	Stone Guard, Black	Black
1	1	381008098/1	Stone Guard, White	White
1	1	381008082/2	Stone Guard, Yellow	Yellow
2	1	122450466/0	Left Spring	
3	1	122517882/0	Pin	
4	1	122450465/0	Right Spring	
5	2	112604899/0	Crown Fastener	
6	1	381486008/0	Grass-Box, Upper Part	Black
6	1	381486030/0	Grass-Box, Upper Part	Grey
6	1	381486012/0	Grass-Box, Upper Part	Yellow
7	1	122608525/1	Stiffening Lower	
8	1	181002211/0	Box, Fabric	
9	2	112728680/0	Screw	
10	2	112523050/0	Washer	

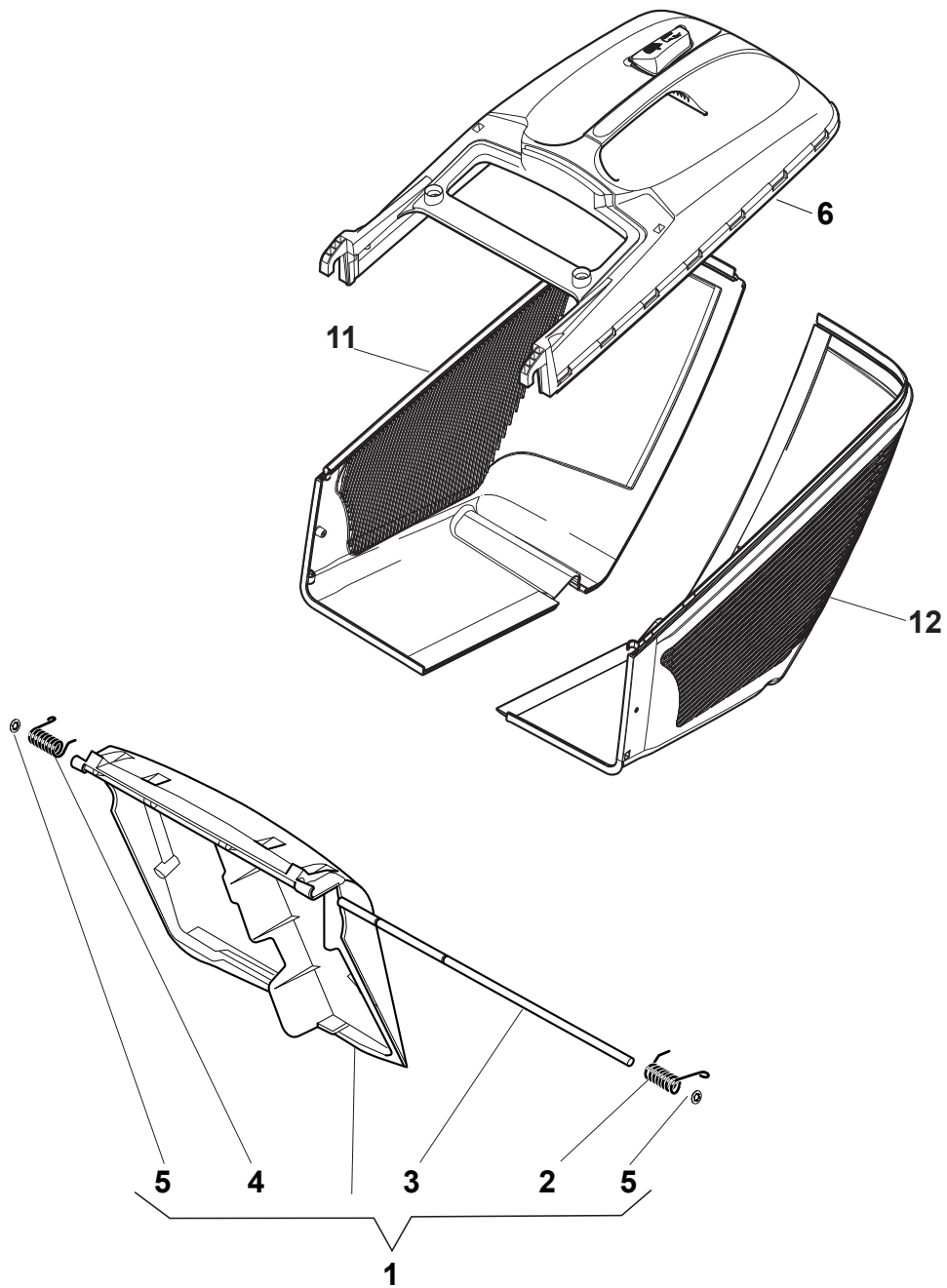


Fig.	Quantity	Part No	Description	Notes
1	1	381008081/2	Stone Guard, Black	Black
1	1	381008098/1	Stone Guard, White	White
1	1	381008082/2	Stone Guard, Yellow	Yellow
2	1	122450466/0	Left Spring	
3	1	122517882/0	Pin	
4	1	122450465/0	Right Spring	
5	2	112604899/0	Crown Fastener	
6	1	381486008/0	Grass-Box, Upper Part	Black
6	1	381486030/0	Grass-Box, Upper Part	Grey
6	1	381486012/0	Grass-Box, Upper Part	Yellow
11	1	322486150/1	Grass-Box, Right Lower Part	
12	1	322486151/1	Grass-Box, Left Lower Part	

code	pos.	q.ty	page									
112000930/0	5	1	p. 47	112727801/0	15	1	p. 3	119216035/0	2	8	p. 35	
112000930/0	11	1	p. 17	112727803/0	3	2	p. 5	119216035/0	2	8	p. 37	
112139100/0	7	1	p. 43	112727803/0	13	3	p. 3	122033283/0	8	1	p. 33	
112139100/0	7	1	p. 45	112727812/0	19	2	p. 13	122041957/1	11	1	p. 33	
112139150/0	7	1	p. 43	112727812/0	19	2	p. 15	122041966/0	8	1	p. 19	
112139150/0	7	1	p. 45	112728124/0	3	2	p. 7	122041966/0	11	1	p. 19	
112150000/0	8	1	p. 3	112728124/0	9	2	p. 41	122060193/0	2	1	p. 41	
112154220/0	23	2	p. 13	112728300/0	1	1	p. 29	122110230/0	15	1	p. 33	
112154220/0	23	2	p. 15	112728300/0	14	2	p. 7	122131750/0	6	4	p. 9	
112154330/0	9	2	p. 13	112728445/0	7	2	p. 47	122140222/0	6	1	p. 41	
112154330/0	9	2	p. 15	112728450/0	18	1	p. 3	122160400/0	4	1	p. 43	
112154510/0	4	1	p. 3	112728460/0	13	1	p. 23	122160400/0	4	1	p. 45	
112154510/0	4	1	p. 19	112728530/0	3	1	p. 41	122291050/0	13	1	p. 19	
112154510/0	4	1	p. 21	112728530/0	4	3	p. 41	122291050/0	13	1	p. 21	
112154510/0	5	2	p. 5	112728680/0	7	2	p. 49	122430309/0	8	1	p. 13	
112154510/0	6	1	p. 17	112728680/0	9	2	p. 53	122430309/0	8	1	p. 15	
112154510/0	7	1	p. 17	112728691/0	11	1	p. 31	122430313/0	2	1	p. 19	
112154510/0	8	2	p. 7	112728697/0	9	2	p. 7	122430313/0	2	1	p. 21	
112154510/0	9	1	p. 23	112728697/0	33	4	p. 3	122430313/0	9	1	p. 17	
112154510/0	12	3	p. 13	112728697/0	35	4	p. 3	122446192/0	41	1	p. 3	
112154510/0	12	3	p. 15	112728702/0	1	1	p. 29	122450063/0	12	1	p. 33	
112154510/0	14	1	p. 33	112728702/0	10	2	p. 31	122450410/1	4	1	p. 47	
112154510/0	14	3	p. 3	112728706/0	39	6	p. 3	122450420/1	2	1	p. 47	
112154510/0	15	1	p. 11	112728721/0	13	2	p. 13	122450456/0	7	1	p. 5	
112154510/0	17	1	p. 3	112728721/0	13	2	p. 15	122450460/0	32	1	p. 3	
112154510/0	18	2	p. 7	112731590/0	1	2	p. 31	122450465/0	4	1	p. 49	
112155000/0	12	2	p. 9	112731590/0	4	2	p. 27	122450465/0	4	1	p. 51	
112155000/0	12	2	p. 11	112735103/0	2	1	p. 25	122450465/0	4	1	p. 53	
112155000/0	25	4	p. 3	112735105/0	3	2	p. 23	122450465/0	4	1	p. 55	
112155000/0	27	1	p. 13	112735108/1	1	3	p. 43	122450466/0	2	1	p. 49	
112155000/0	27	1	p. 15	112735108/1	1	3	p. 45	122450466/0	2	1	p. 51	
112293200/0	7	4	p. 11	112735662/1	10	4	p. 13	122450466/0	2	1	p. 53	
112369500/0	16	1	p. 11	112735662/1	10	4	p. 15	122450466/0	2	1	p. 55	
112436051/0	12	1	p. 3	112735698/0	6	1	p. 43	122465607/3	2	1	p. 43	
112521310/0	3	2	p. 27	112735698/0	6	1	p. 45	122465607/3	2	1	p. 45	
112521310/0	7	1	p. 3	112760605/0	10	2	p. 9	122465608/2	2	1	p. 43	
112521330/0	3	1	p. 19	112760605/0	10	4	p. 11	122465608/2	2	1	p. 45	
112521330/0	3	1	p. 21	112760605/0	30	1	p. 13	122486093/0	6	1	p. 47	
112521330/0	8	1	p. 17	112760605/0	30	1	p. 15	122517869/1	8	1	p. 5	
112521350/0	24	4	p. 3	112788512/0	5	1	p. 3	122517882/0	3	1	p. 49	
112523000/1	2	2	p. 7	112791500/0	5	1	p. 23	122517882/0	3	1	p. 51	
112523000/1	8	2	p. 41	112819120/0	4	1	p. 11	122517882/0	3	1	p. 53	
112523000/1	20	2	p. 13	114356743/1	11	1	p. 23	122517882/0	3	1	p. 55	
112523000/1	20	2	p. 15	114356744/1	11	1	p. 23	122517906/1	3	1	p. 47	
112523040/0	3	1	p. 25	114356906/1	11	1	p. 23	122534131/0	2	1	p. 3	
112523040/0	7	1	p. 23	114357646/1	11	1	p. 23	122570133/0	40	1	p. 3	
112523040/0	8	1	p. 23	118120052/0	4	1	p. 31	122570134/0	37	1	p. 3	
112523040/0	14	1	p. 11	118120052/0	5	1	p. 27	122601904/0	6	1	p. 33	
112523050/0	10	2	p. 53	118203853/0	6	2	p. 5	122608505/0	6	1	p. 49	
112523080/0	5	1	p. 43	118204120/0	6	1	p. 27	122608523/0	9	1	p. 47	
112523080/0	5	1	p. 45	118204120/0	12	1	p. 31	122608525/1	7	1	p. 53	
112530060/0	6	1	p. 23	118204121/0	6	1	p. 27	122680006/1	5	4	p. 11	
112604896/0	9	2	p. 5	118204121/0	12	1	p. 31	122753000/0	3	2	p. 33	
112604899/0	5	2	p. 49	118204136/0	6	1	p. 27	122943006/0	12	1	p. 23	
112604899/0	5	2	p. 51	118204136/0	12	1	p. 31	122943013/0	10	1	p. 3	
112604899/0	5	2	p. 53	118204192/3	6	1	p. 31	125038002/1	11	1	p. 11	
112604899/0	5	2	p. 55	118204192/3	8	1	p. 27	125038002/1	11	2	p. 9	
112608600/0	1	2	p. 33	118204198/0	6	1	p. 31	125038002/1	28	1	p. 13	
112645700/0	7	1	p. 33	118204198/0	8	1	p. 27	125038002/1	28	1	p. 15	
112727784/0	14	1	p. 15	118210016/1	9	1	p. 27	125160012/0	2	2	p. 31	
112727786/0	14	1	p. 13	118210016/1	13	1	p. 31	133320022/0	2	1	p. 29	
112727787/0	2	1	p. 17	118390020/0	5	1	p. 19	135063902/0	9	1	p. 33	
112727799/0	6	2	p. 7	118390020/0	5	1	p. 21	181002195/0	8	1	p. 47	
112727799/0	17	2	p. 7	118450050/0	9	1	p. 31	181002211/0	8	1	p. 53	
				118450051/0	7	1	p. 27	181002345/0	11	1	p. 49	
				119216035/0	2	2	p. 33	181003076/1	5	1	p. 33	

code	pos.	q.ty	page									
181003300/1	9	1	p. 19	322393642/0	16	1	p. 7	381005149/0	4	1	p. 15	
181003301/0	12	1	p. 19	322393657/0	6	1	p. 51	381005151/0	3	1	p. 9	
181003363/1	9	1	p. 21	322393657/0	9	1	p. 49	381005151/0	5	1	p. 13	
181003364/0	12	1	p. 21	322393721/0	6	1	p. 51	381005151/0	5	1	p. 15	
181004381/1	3	1	p. 43	322393721/0	9	1	p. 49	381005185/0	2	1	p. 9	
181004398/0	3	1	p. 45	322394503/0	6	1	p. 3	381005185/0	4	1	p. 13	
181005501/1	1	1	p. 25	322394522/0	20	1	p. 3	381005185/0	4	1	p. 15	
181005502/1	17	1	p. 13	322399804/1	6	4	p. 11	381005187/0	3	1	p. 9	
181005503/1	1	1	p. 25	322399835/0	7	4	p. 9	381005187/0	5	1	p. 13	
181005504/1	1	1	p. 25	322399835/0	24	2	p. 13	381005187/0	5	1	p. 15	
181005512/0	17	1	p. 13	322399835/0	24	2	p. 15	381006670/2	1	1	p. 13	
181005513/0	17	1	p. 13	322486150/1	11	1	p. 55	381006670/2	1	1	p. 15	
181005515/0	1	1	p. 25	322486151/1	12	1	p. 55	381006719/0	1	1	p. 9	
181005525/0	17	1	p. 13	322486305/0	9	1	p. 51	381006720/0	1	1	p. 9	
181005537/0	1	1	p. 25	322486306/0	8	1	p. 51	381006773/1	7	2	p. 13	
181030053/0	6	1	p. 19	322488301/0	21	1	p. 13	381006773/1	7	2	p. 15	
181030053/0	6	1	p. 21	322488301/0	21	1	p. 15	381006774/1	7	2	p. 13	
181030054/0	6	1	p. 21	322488303/0	22	1	p. 13	381006774/1	7	2	p. 15	
181030056/0	5	1	p. 17	322488303/0	22	1	p. 15	381006838/0	1	1	p. 19	
181030057/0	5	1	p. 17	322500103/0	1	1	p. 7	381006840/0	1	1	p. 21	
181030070/0	6	1	p. 19	322500103/0	7	1	p. 41	381006867/0	1	1	p. 17	
181030070/0	6	1	p. 21	322545152/0	34	2	p. 3	381006979/2	1	1	p. 17	
181030074/0	16	1	p. 13	322545159/0	8	2	p. 49	381007043/0	1	1	p. 11	
181030100/0	16	1	p. 15	322545204/0	7	1	p. 19	381007221/0	2	1	p. 23	
322034002/0	19	1	p. 3	322551639/0	17	1	p. 15	381007280/2	2	1	p. 23	
322041967/1	11	4	p. 13	322551640/0	3	1	p. 17	381007416/2	3	2	p. 35	
322041967/1	11	4	p. 15	322600145/0	21	2	p. 3	381007417/2	5	2	p. 35	
322060197/3	5	1	p. 41	322600208/0	27	2	p. 3	381007477/0	1	2	p. 37	
322076570/1	3	1	p. 29	322600313/0	2	1	p. 5	381007478/1	4	2	p. 35	
322108295/1	1	1	p. 5	322680009/0	13	1	p. 33	381007478/1	4	2	p. 37	
322109530/0	2	1	p. 27	322680016/0	5	4	p. 9	381007483/1	1	2	p. 35	
322109530/0	5	1	p. 31	322680017/0	26	2	p. 13	381007520/0	1	1	p. 21	
322110382/0	4	2	p. 39	322680017/0	26	2	p. 15	381007522/0	1	1	p. 19	
322110416/0	5	2	p. 39	322722800/0	8	1	p. 31	381007525/0	1	1	p. 19	
322110417/0	14	2	p. 39	322722801/0	7	1	p. 31	381007539/0	1	1	p. 9	
322110492/0	6	2	p. 39	322785123/0	1	1	p. 27	381007540/0	1	1	p. 19	
322110511/0	13	2	p. 39	322785123/0	3	1	p. 31	381008021/2	1	1	p. 47	
322110560/0	15	2	p. 39	322785304/1	36	2	p. 3	381008081/2	1	1	p. 53	
322110640/0	3	2	p. 37	322806639/0	4	1	p. 5	381008081/2	1	1	p. 55	
322110641/0	12	2	p. 39	322806644/0	18	1	p. 13	381008082/2	1	1	p. 53	
322110643/0	1	2	p. 39	322806644/0	18	1	p. 15	381008082/2	1	1	p. 55	
322110644/0	10	2	p. 39	322820082/0	10	1	p. 7	381008098/1	1	1	p. 53	
322110645/0	2	2	p. 39	322820083/0	11	1	p. 7	381008098/1	1	1	p. 55	
322110646/0	11	2	p. 39	322981467/0	4	1	p. 23	381008128/0	1	1	p. 49	
322110649/0	2	2	p. 39	381002032/0	11	1	p. 3	381008128/0	1	1	p. 51	
322110650/0	11	2	p. 39	381002887/1	16	1	p. 3	381008129/0	1	1	p. 49	
322110687/0	3	2	p. 39	381003253/0	4	4	p. 9	381008129/0	1	1	p. 51	
322120115/0	38	2	p. 3	381003253/0	25	2	p. 13	381008609/0	14	1	p. 23	
322120189/0	10	1	p. 23	381003253/0	25	2	p. 15	381030092/1	10	1	p. 19	
322192156/0	13	1	p. 9	381003297/1	12	1	p. 17	381030092/1	10	1	p. 21	
322192156/0	13	2	p. 11	381003330/0	10	1	p. 17	381030093/1	15	1	p. 13	
322192156/0	29	1	p. 13	381003344/0	3	1	p. 13	381030097/0	15	1	p. 15	
322192156/0	29	1	p. 15	381003344/0	3	1	p. 15	381103350/0	14	2	p. 9	
322226145/0	5	1	p. 7	381003349/0	2	1	p. 13	381302835/1	31	1	p. 3	
322226146/0	5	1	p. 7	381003349/0	2	1	p. 15	381486008/0	6	1	p. 53	
322226152/0	5	1	p. 7	381003398/0	3	1	p. 3	381486008/0	6	1	p. 55	
322226154/0	5	1	p. 7	381003472/0	3	1	p. 13	381486009/0	7	1	p. 51	
322226158/0	15	1	p. 7	381003472/0	3	1	p. 15	381486009/0	10	1	p. 49	
322226166/0	13	1	p. 7	381004540/0	1	1	p. 3	381486012/0	6	1	p. 53	
322226167/0	12	1	p. 7	381004542/0	1	1	p. 3	381486012/0	6	1	p. 55	
322291150/0	1	1	p. 41	381004590/0	1	1	p. 3	381486030/0	6	1	p. 53	
322393638/0	7	1	p. 7	381004732/0	1	1	p. 3	381486030/0	6	1	p. 55	
322393639/0	7	1	p. 7	381005133/0	2	1	p. 11	381486031/0	7	1	p. 51	
322393640/0	7	1	p. 7	381005135/0	3	1	p. 11	381486031/0	10	1	p. 49	
				381005149/0	2	1	p. 9	381600400/0	4	1	p. 29	
				381005149/0	4	1	p. 13	422120152/0	15	1	p. 23	

code	pos.	q.ty	page
422120154/0	15	1	p. 23
422120158/0	15	1	p. 23
481007160/0	1	1	p. 23